


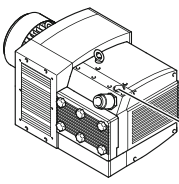







BETRIEBSANLEITUNG
OPERATING INSTRUCTIONS
INSTRUCCIONES DE SERVICE
ISTRUZIONI D'USO
HANDLEIDING
INSTRUCCIONES PARA EL MANEJO
MANUAL DE INSTRUÇÕES
NAUDOJIMOSI INSTRUKCIJA
KASUTUSJUHEND
LIETOŠANAS INSTRUKCIJA
DRIFTSINSTRUKS
DRIFTSINSTRUKTIONER
DRIFTSVEJLEDNING
INSTRUKCJA OBSŁUGI

KEZELÉSI ÚTMUTATÓ
NÁVOD K OBSLUZE
NAVODILO ZA UPORABO
NÁVOD NA OBSLUHU
UPUTE ZA RAD
MANUAL DE OPERATII
TREORACHA OIBRIÚCHÁIN
ΟΔΗΓΙΕΣ ΧΡΗΣΗΣ
EL KITABI
ИНСТРУКЦИИ ЗА ЕКСПЛОАТАЦИЯ
ИНСТРУКЦИЯ ПО ЕКСПЛУАТАЦИИ
取扱説明書
사용설명서
使用说明书

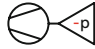



KVT 3.100


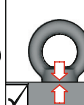


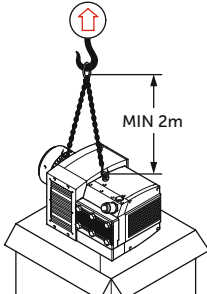
MAKE IT BECKER.





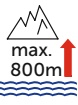
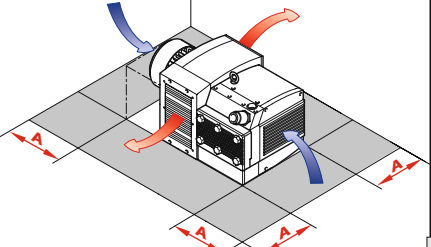
 		
		
 <p>AIR</p>		
		

1


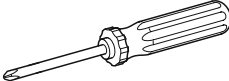



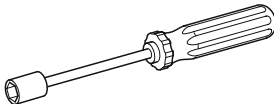
 <p>MAX. VACUUM</p>		<p>mbar</p>
	 <p>MAX.</p>	
<p>L_{pA})))</p> <p>DIN EN ISO 11203 Accuracy Class 2 K_{pa} = 3 dB(A) l ← 1m</p>	<p>L_{pA} = 75 dB(A) - 50Hz L_{pA} = 77 dB(A) - 60Hz</p>	<p>2</p>

			 <p>101 kg 223 lbs</p>
			

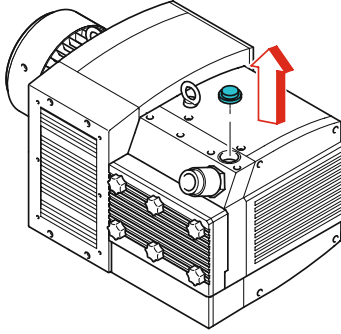
3

<p>A > 100mm A > 4"</p>	 <p>> 5°C/41°F < 45°C/113°F</p>	 <p>max. 90%</p>	 <p>max. 800m</p>
			

4

 <p>No. 2</p>	
 <p>5 mm</p>	
 <p>7 mm 10 mm</p>	

5



6

MOTOR-PROTECTION

=

50Hz	60Hz
XXX / XXX Y	XXX / XXX Y
XXX / XXX Z	XXX / XXX Z

×

RATED CURRENT

SERVICE FACTOR
(cf. LXX)

7

GENERAL

¹⁾ motor protection switch

ADDITIONAL M ≥ 5.5 kW

RECOMMENDATION

A **Softstart**

B

OPTIONAL

ON (I) - 1 2 MAX 10x/h

OFF (0) -

PTC

Bi-metal

8

9

10

0 2 10 [m]

1 1/2" 2" + 1x

VACUUM

11

BECKER year

D-42279 Wuppertal No

www.becker-international.com

CE type

frequency Hz

speed min⁻¹

power required kW

inlet capacity m³/h

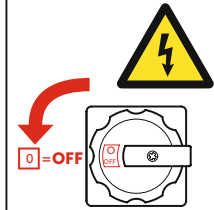
max. vacuum mbar

12

Maintenance



13



n=0min⁻¹



14

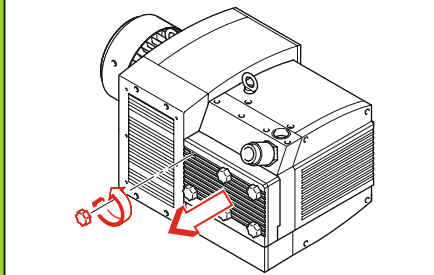
CLEANING INTERVAL

SUCTION AIR

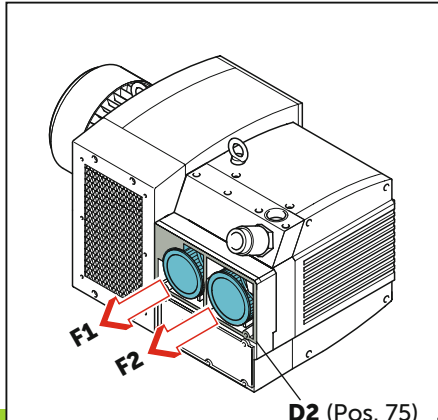
40h

200h

EN149 - FFP3
42 CFR 84 - N100



15

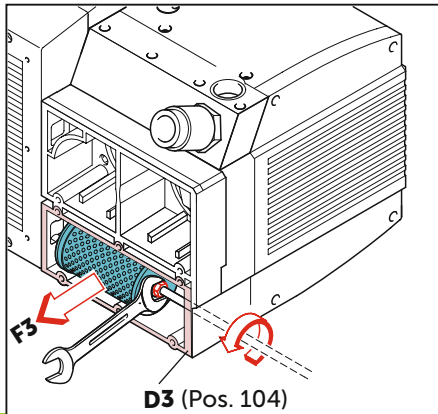


16

optional
en option
optionale
opcional

KVT 3.100/0
 KVT 3.100/6

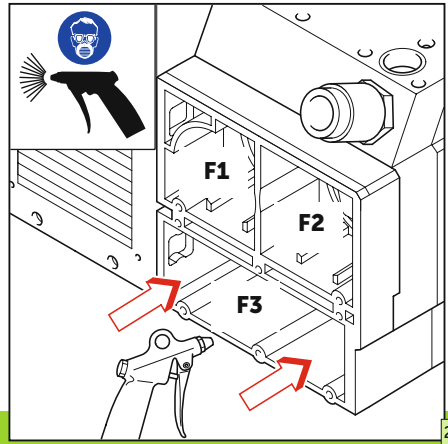
17



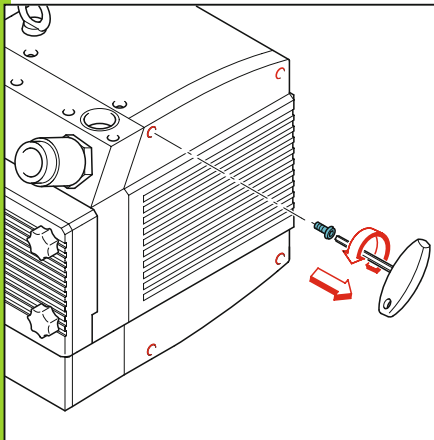
18

F1 = F2 (standard)	F2* (polyester) KVT 3.100/6	F3 (standard)
No.: 909507	No.: 909587	No.: 909514
	Satz / Kit Pos.: 20, 24, 62, 75, 76, 85, 104, 122, 125, 126, 146 No.: 549000 21300	

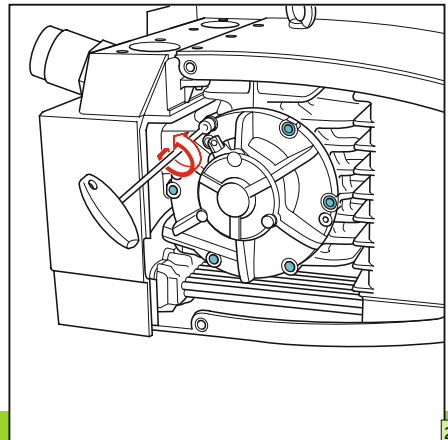
19



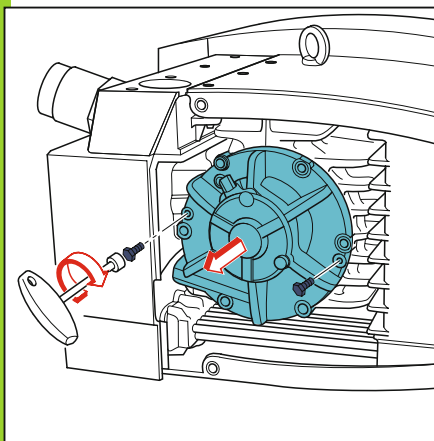
20



21



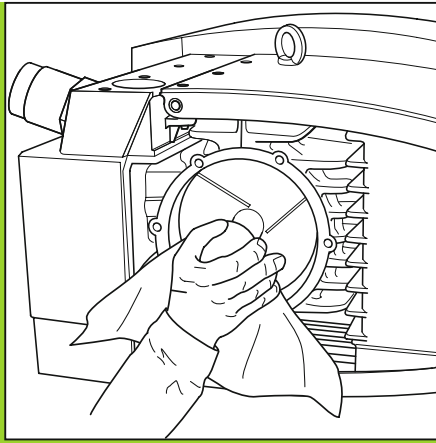
22



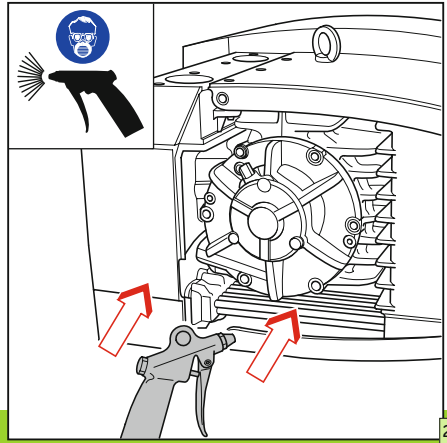
23

3000 h	
	$A_{MAX} = 39mm$ $A_{MIN} = 26mm$
	$A_{fan} < 26mm$
KVT 3.100 (standard) → No. 90133300004 (SET) KVT 3.100/6 → No. 90138000004 (SET)	

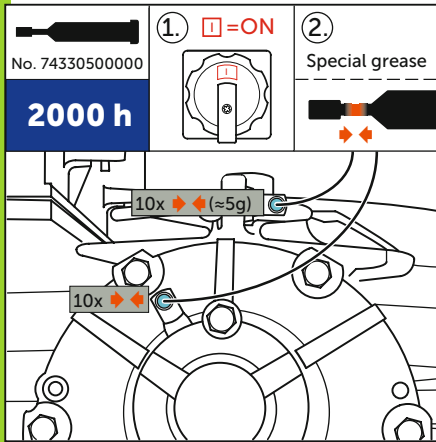
24



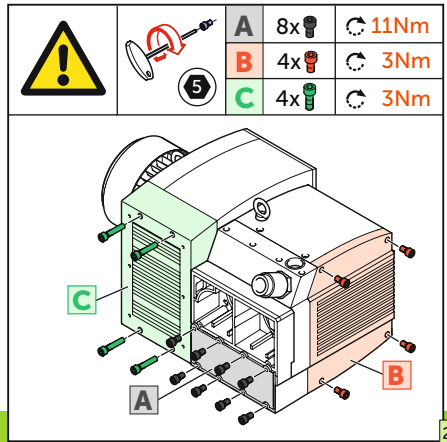
25



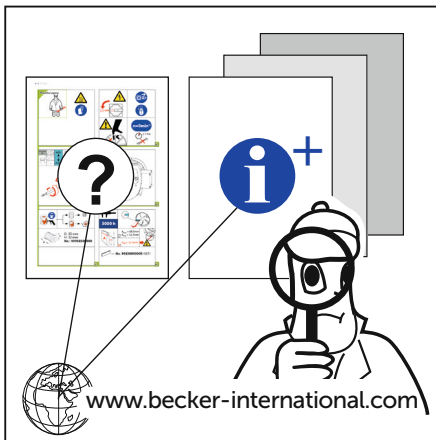
26



27



28





WWW.BECKER-INTERNATIONAL-SHOP.COM

Gebr. Becker GmbH
Hoelker Feld 29-31
42279 WUPPERTAL
GERMANY
info@becker-international.com
www.becker-international.com





MAKE IT BECKER.

28100021202 | 2021-03-01 | All rights reserved