

Betriebsanleitung  
 Operating Instructions  
 Instructions de service  
 Istruzioni d'uso  
 Handleiding  
 Instrucciones para el manejo  
 Manual de instruções  
 Naudojimosi instrukcija  
 Kasutusjuhend  
 Lietošanas instrukcija  
 Driftsinstruks  
 Driftsinstruktioner  
 Käyttöohje  
 Driftsvejledning  
 Instrukcja obsługi

Kezelési útmutató  
 Návod k obsluze  
 Navodilo za uporabo  
 Návod na obsluhu  
 Upute za rad  
 Manual de operatii  
 Treoracha Oibriúcháin  
 Οδηγίες χρήσης  
 El Kitabi  
 Инструкции за експлоатация  
 Инструкция по эксплуатации  
 取扱説明書  
 사용설명서  
 使用说明书


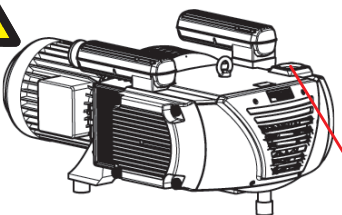



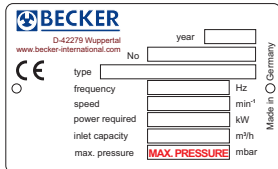






**DTLF 2.200**  
**DTLF 2.250**  
**DTLF 2.360**







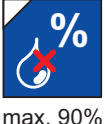

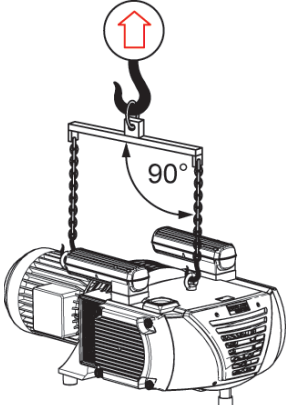
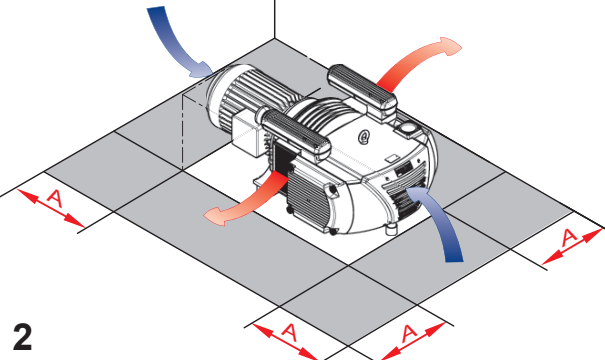
2006/42/EG

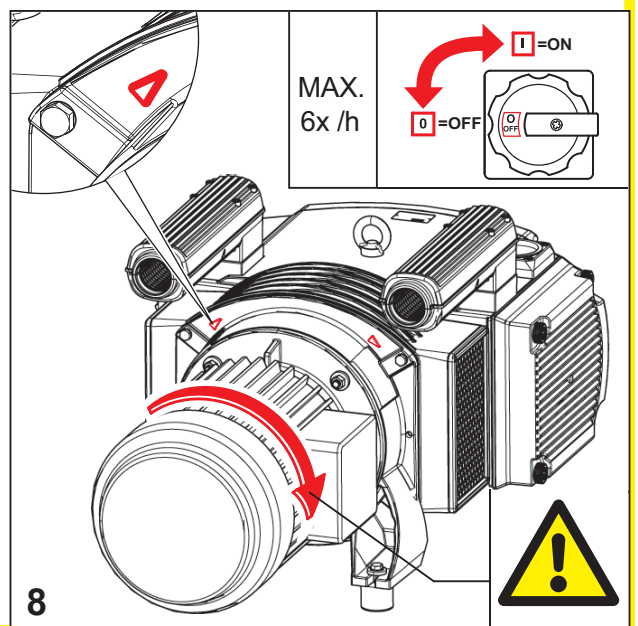
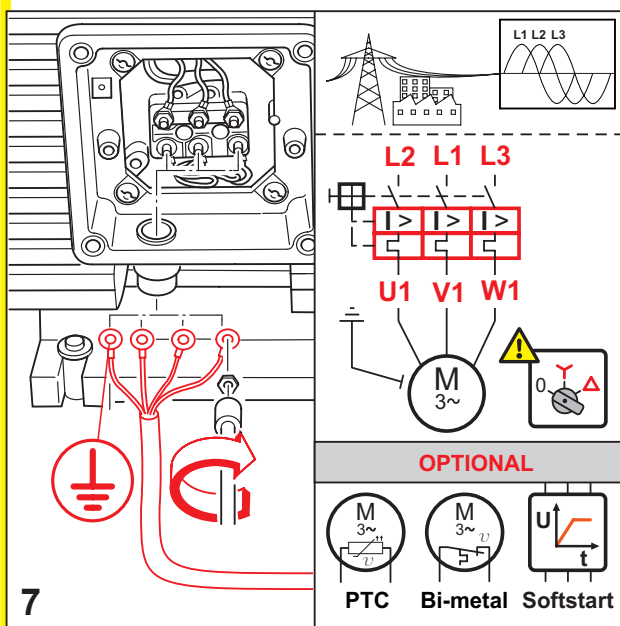
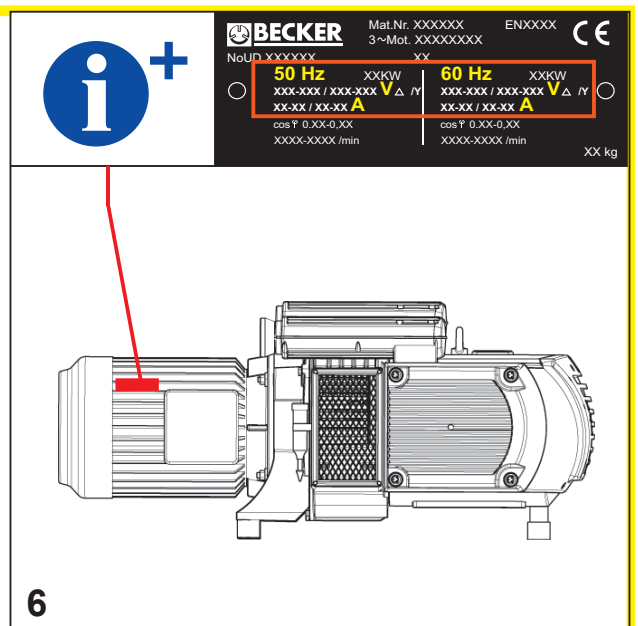
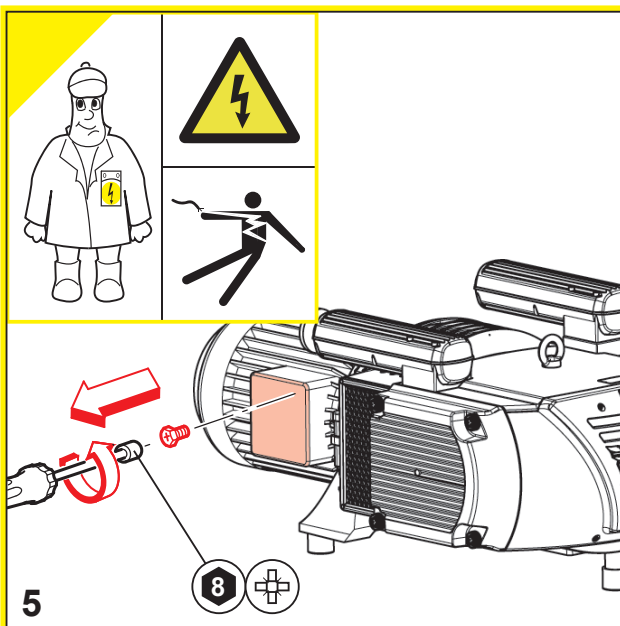
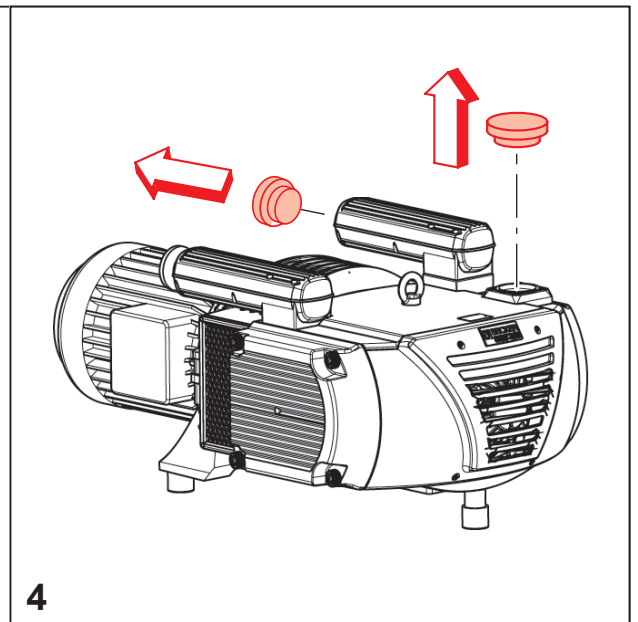
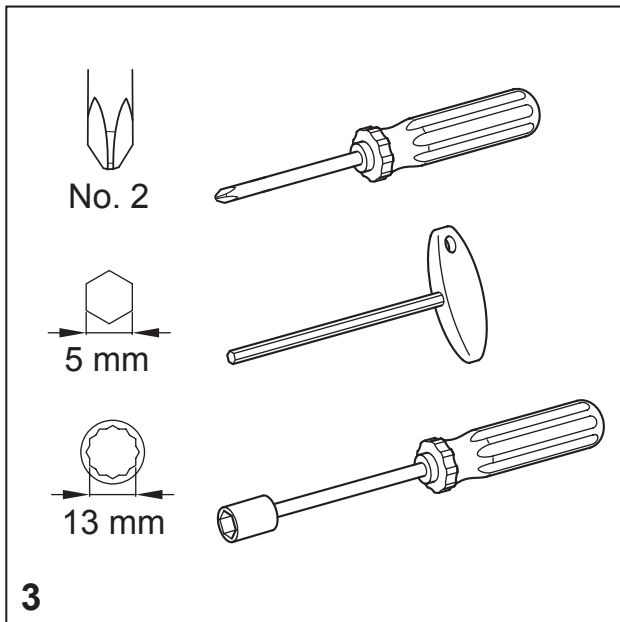


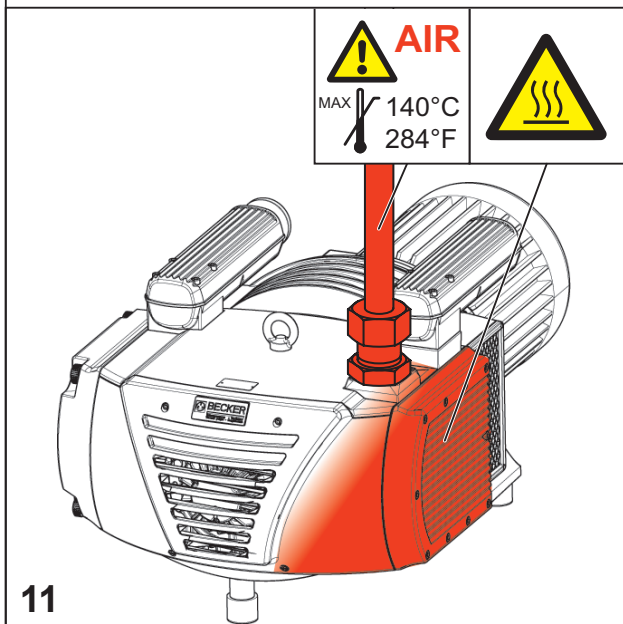
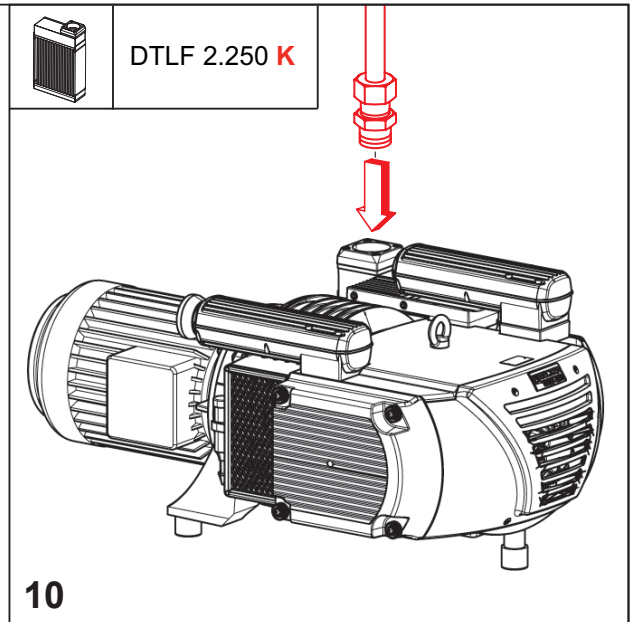
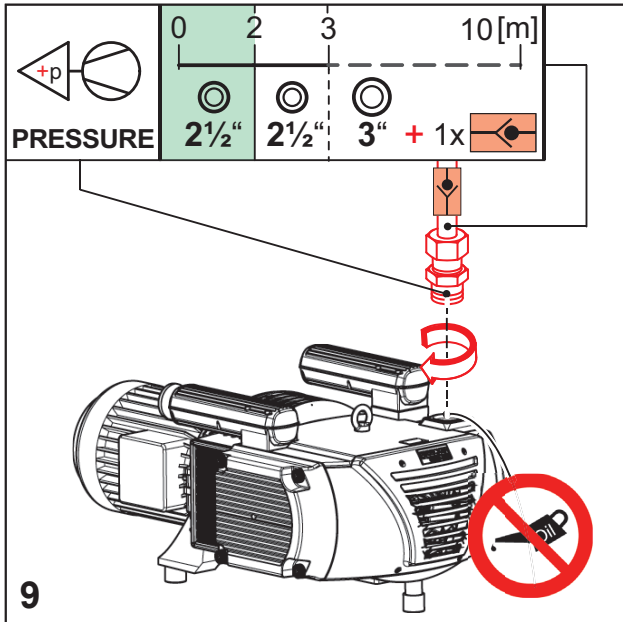
DIN EN ISO 14001:2005

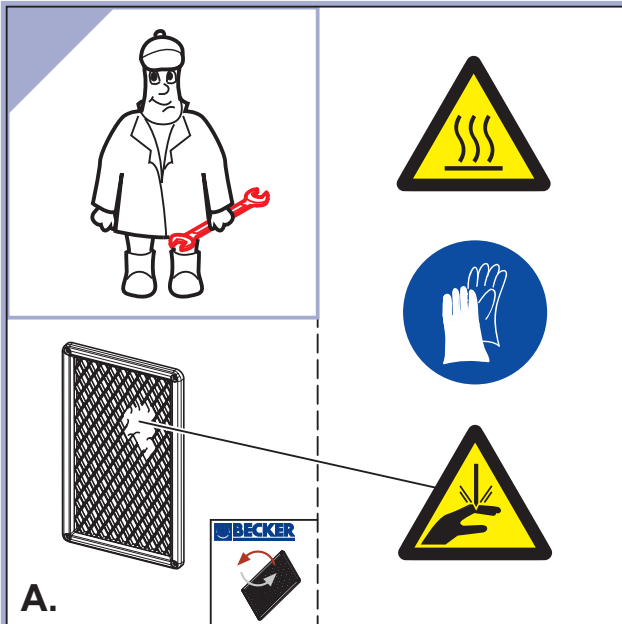
DIN EN ISO 9001  
001929 QM

 	 	 <b>MAX. PRESSURE</b>		mbar
			 <b>MAX.</b>	
 <input checked="" type="checkbox"/> <b>AIR</b>	   	<b>DIN EN ISO 3744</b>	<b>L<sub>pA</sub> = 79-84 dB(A) - 50Hz</b> <b>L<sub>pA</sub> = 80-85 dB(A) - 60Hz</b> <b>K<sub>pA</sub> = 3 dB(A)</b>	

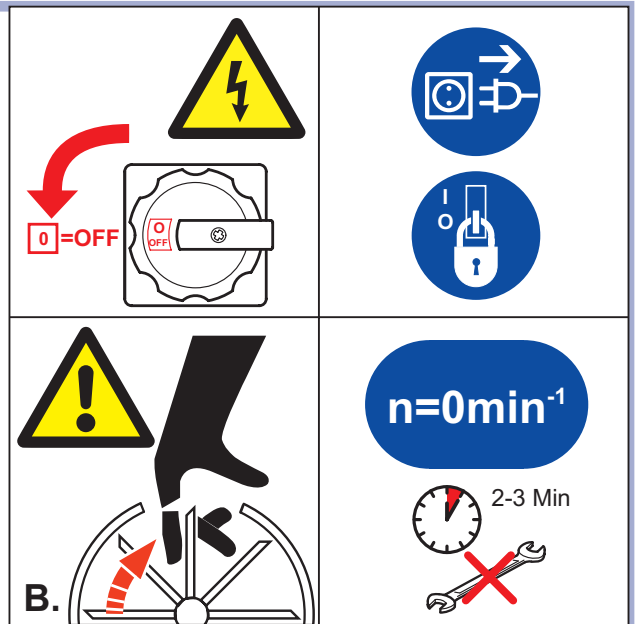
 	 <input checked="" type="checkbox"/>	 <input type="checkbox"/>	 248-335 kg 547-739 lbs	<b>A &gt; 400mm</b> <b>A &gt; 16"</b>	 > 5°C/41°F < 45°C/113°F	 max. 90%	 max. 800m
<b>1</b> 				<b>2</b> 			



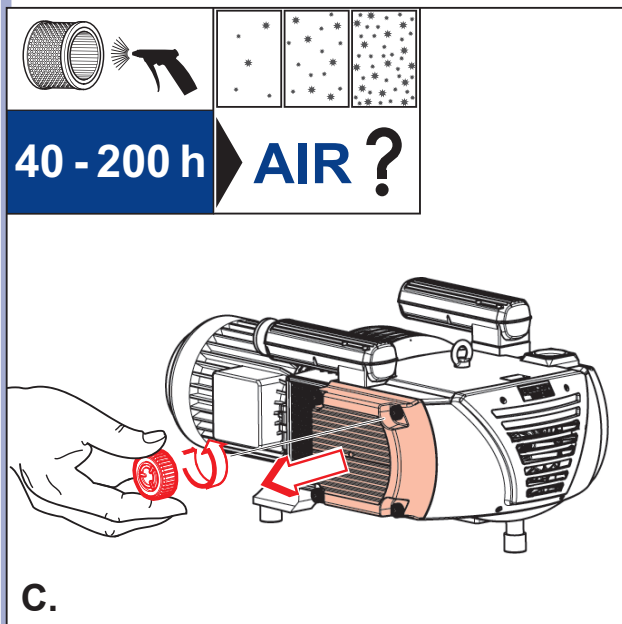




A.

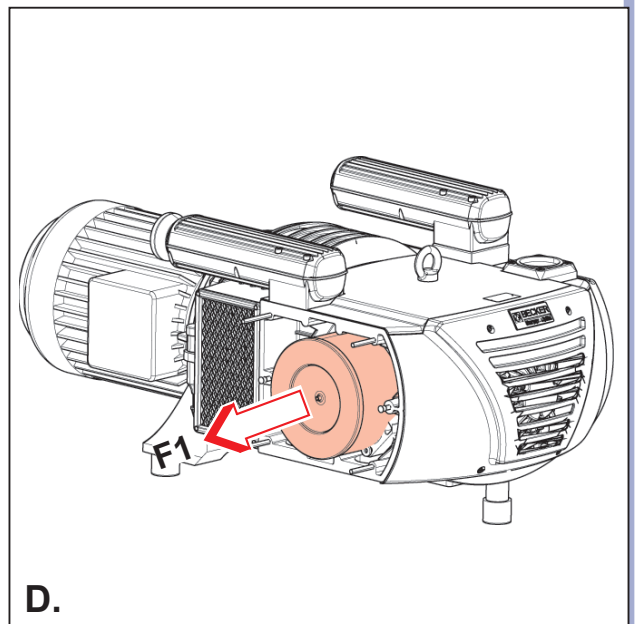


B.

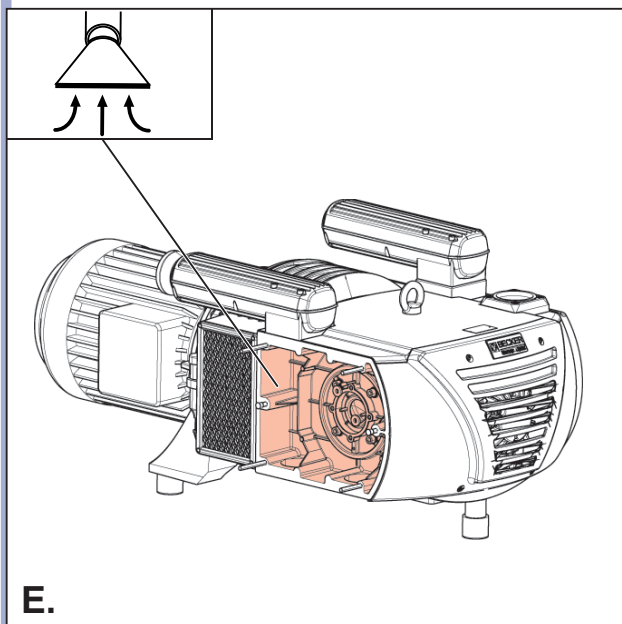


40 - 200 h **AIR ?**

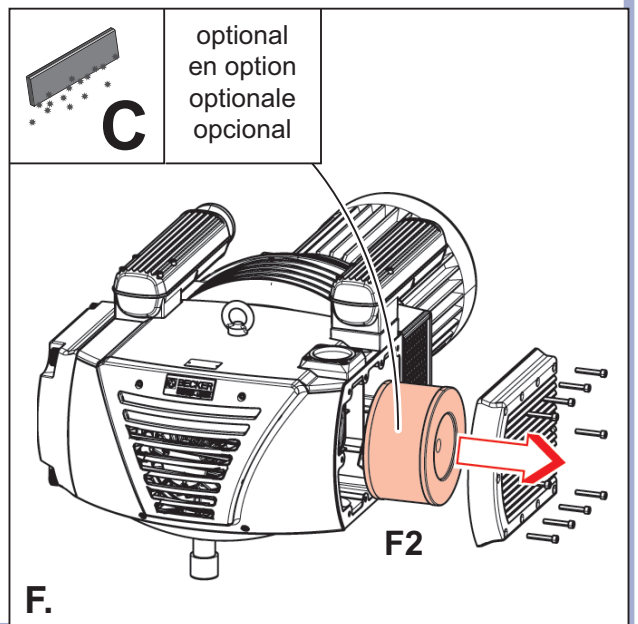
C.



D.

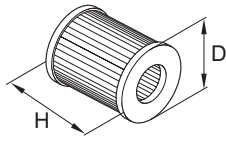


E.



F.





**F1:** D: 218 mm  
H: 122 mm  
No.: **9095120000**

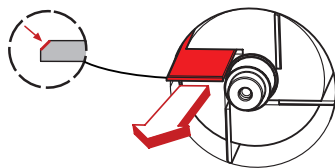
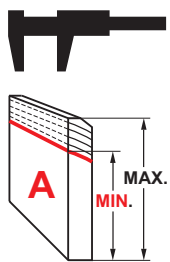
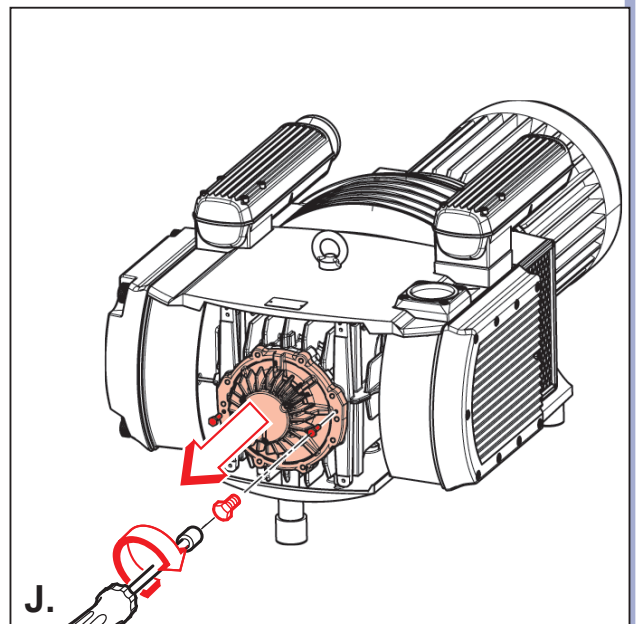
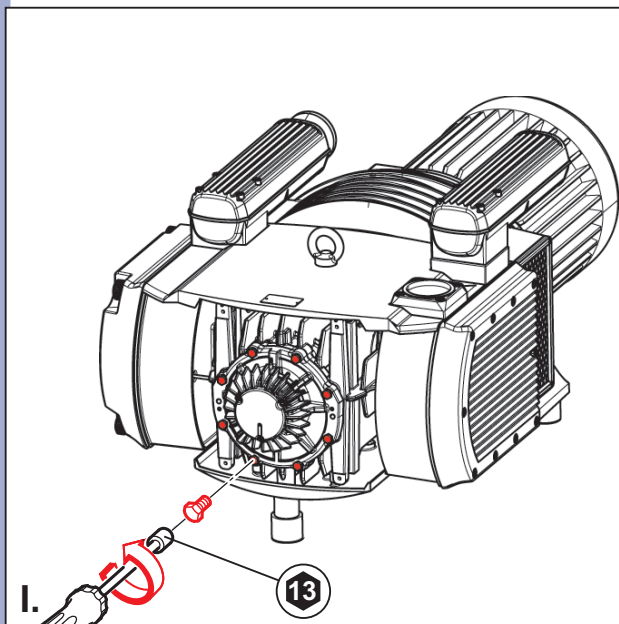
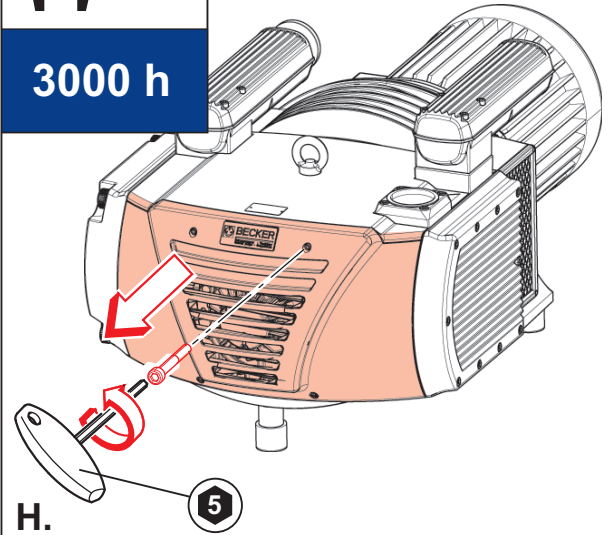


EN149 - FFP3  
42 CFR 84 - N100

**F2:** D: 211 mm  
H: 87 mm  
No.: **9095410000**



**3000 h**



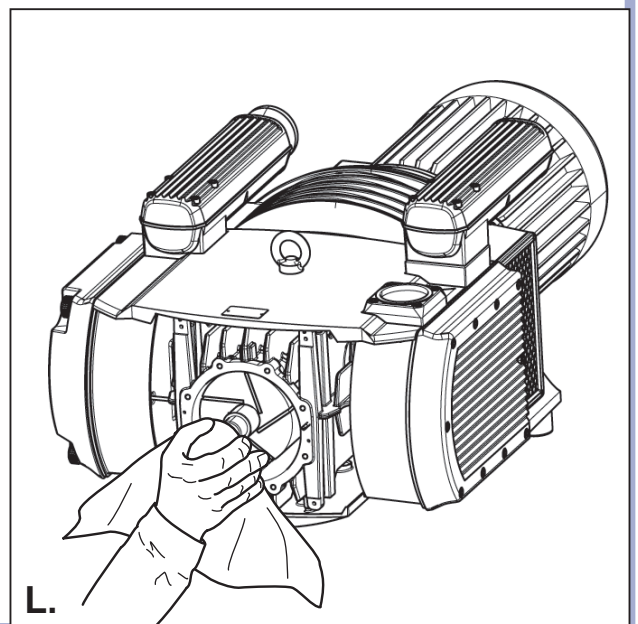
$A_{MAX} = 65\text{mm}$   
 $A_{MIN} = 41\text{mm}$

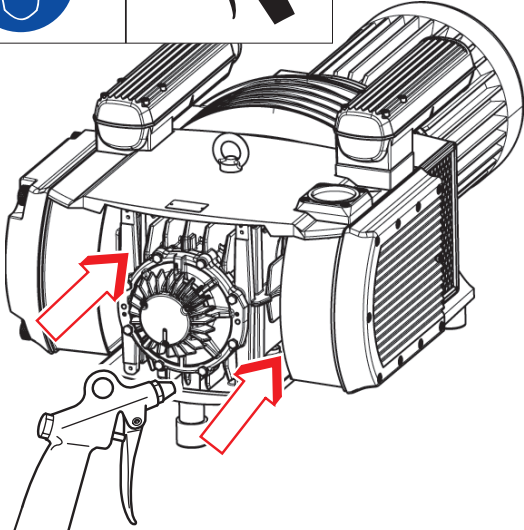


$A_{\text{---}} < 41\text{mm}$



DTLF 2.200/2.250 → No. 90136701005 (SET)  
**K.** DTLF 2.360 → No. 90132500005 (SET)

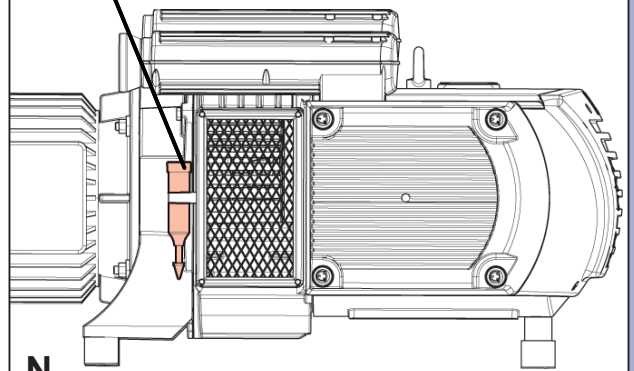




M.



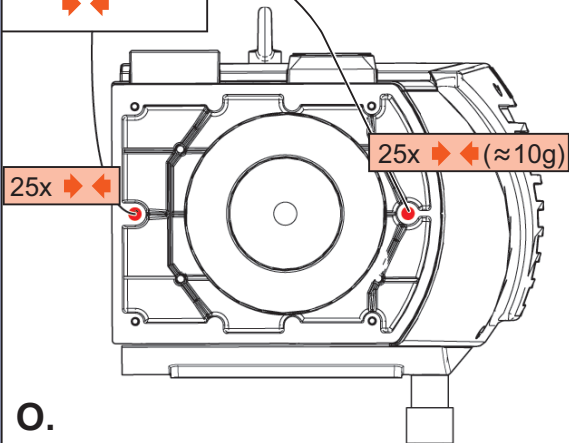
3000 h



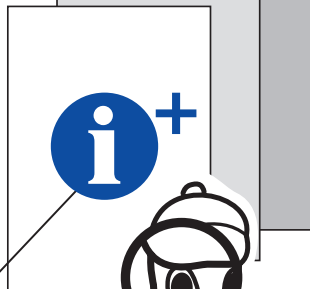
N.

Amblygon  
TA 15/2

No.: 74330300000



O.



[www.becker-international.com](http://www.becker-international.com)

**BECKER**

Gebr. Becker GmbH  
Hölker Feld 29-31  
D-42279 Wuppertal  
[info@becker-international.com](mailto:info@becker-international.com)



**SERVICE**

[www.becker-international.com](http://www.becker-international.com)

Sales and service network

[www.becker-international.com](http://www.becker-international.com)