

Betriebsanleitung
Operating Instructions
Instructions de service
Istruzioni d'uso
Handleiding
Instrucciones para el manejo
Manual de instruções
Naudojimosi instrukcija
Kasutusjuhend
Lietošanas instrukcija
Driftsinstruks
Driftsinstruktioner
Käyttöohje
Driftsvejledning
Instrukcja obsługi

Kezelési útmutató
Návod k obsluze
Navodilo za uporabo
Návod na obsluhu
Upute za rad
Manual de operatii
Treoracha Oibriúcháin
Οδηγίες χρήσης
El Kitabi
Инструкции за експлоатация
Инструкция по эксплуатации
取扱説明書
사용설명서
使用说明书

SV 201/1
SV 201/2

2006/42/EG



DIN EN ISO 14001:2005

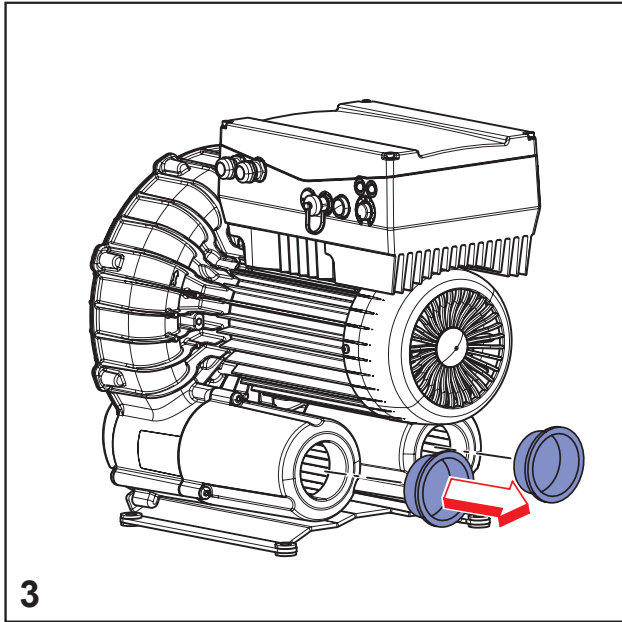


DIN EN ISO 9001
001929 QM

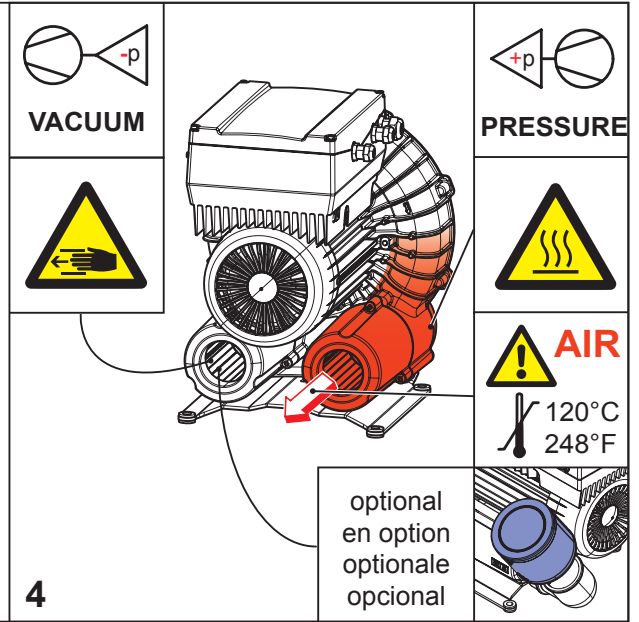
		MAX. PRESSURE MAX. VACUUM		mbar
		MAX.		m ³ /h
AIR		DIN EN ISO 3744 K _{pA} = 3 dB(A)	SV 201/1 (Pressure/Vacuum) L _{pA} = 77.7/77.2 dB(A) ▶ 67Hz, +235/-215 mbar SV 201/2 (Pressure/Vacuum) L _{pA} = 73.9/73.5 dB(A) ▶ 67Hz, +370/-290 mbar	

static inst. ①-④		dynamic installation ↳ Gebr. BECKER			INLET AIR		optional en option opcionale opcional + Filter
						A > 100mm A > 4"	B > 295mm B > 11½"
1					2		
		32 kg 70.5 lbs	max. 800m	max. 90%			

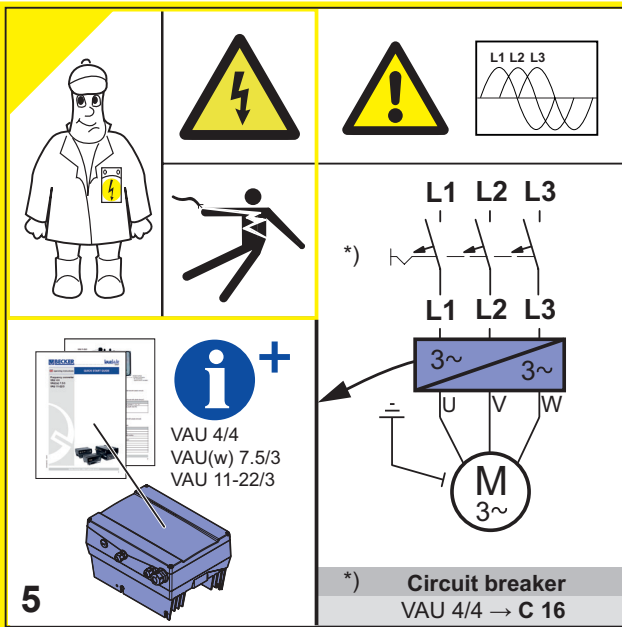
28100060251 01/17



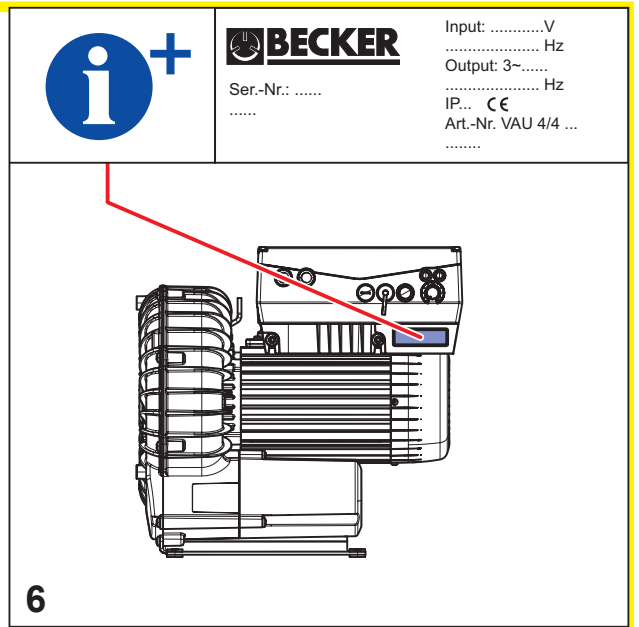
3



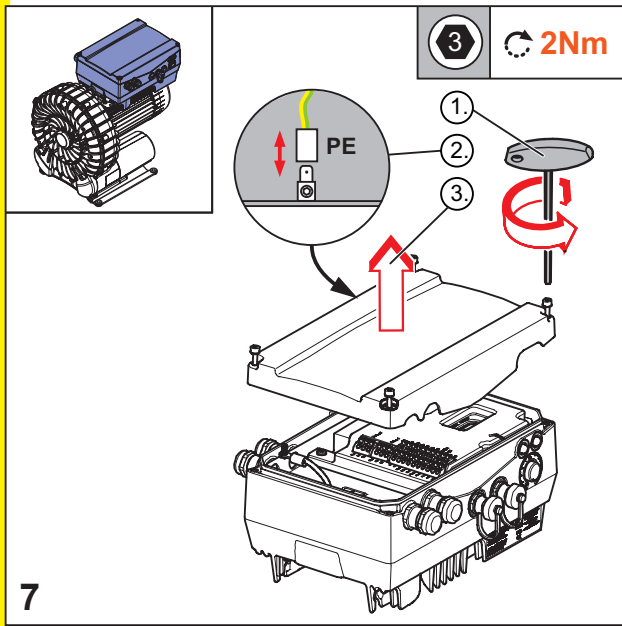
4



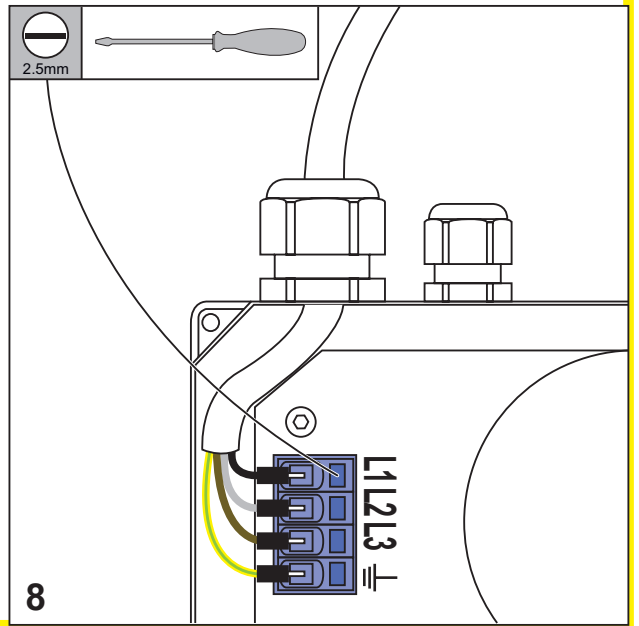
5



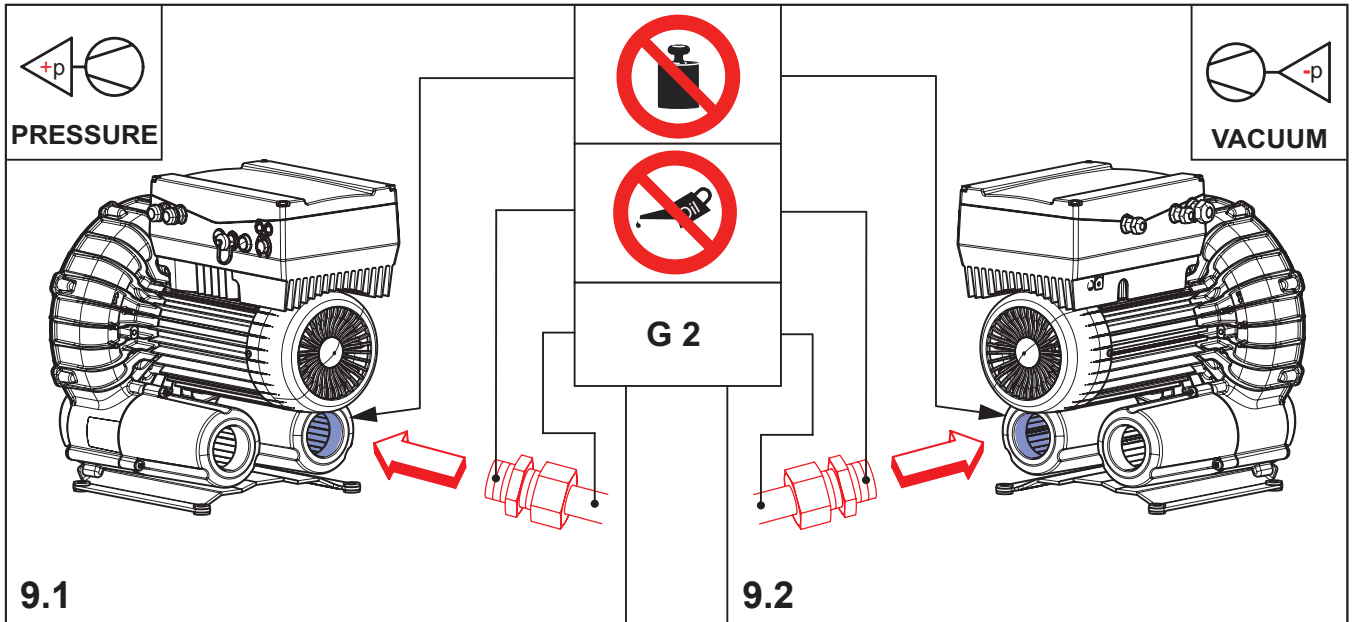
6



7



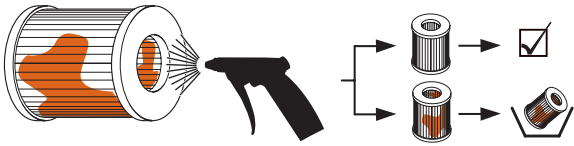
8



A.			
		B.	

SUCTION AIR 	 cleaning interval	PRESSURE optional en option optionale opcional
C.		

SUCTION AIR 	 cleaning interval	VACUUM PRESSURE optional en option optionale opcional
D.		



F1: PRESSURE

No.: 74000501000

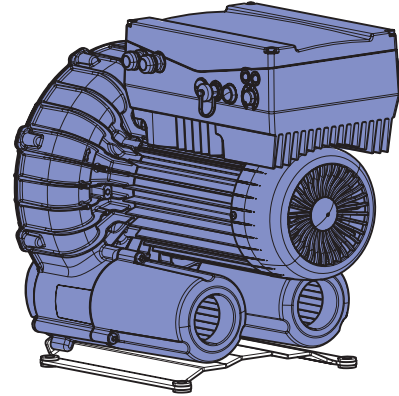
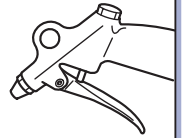
**F2: VACUUM
+ PRESSURE**

No.: 90951070000

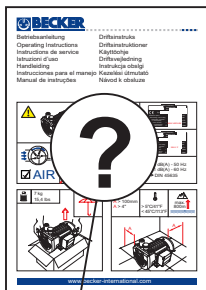


EN149 - FFP3
42 CFR 84 - N100

E.



F.



www.becker-international.com



Gebr. Becker GmbH
Hölker Feld 29-31
D-42279 Wuppertal
info@becker-international.com



SERVICE
www.becker-international.com
Sales and service network