

Betriebsanleitung  
 Operating Instructions  
 Instructions de service  
 Istruzioni d'uso  
 Handleiding  
 Instrucciones para el manejo  
 Manual de instruções  
 Naudojimosi instrukcija  
 Kasutusjuhend  
 Lietošanas instrukcija  
 Driftsinstruks  
 Driftsinstruktioner  
 Käyttöohje  
 Driftsvejledning  
 Instrukcja obsługi

Kezelési útmutató  
 Návod k obsluze  
 Navodilo za uporabo  
 Návod na obsluhu  
 Upute za rad  
 Manual de operatii  
 Treoracha Oibriúcháin  
 Οδηγίες χρήσης  
 El Kitabi  
 Инструкции за експлоатация  
 Инструкция по эксплуатации  
 取扱説明書  
 사용설명서  
 使用说明书

DVT 3.60

2006/42/EG



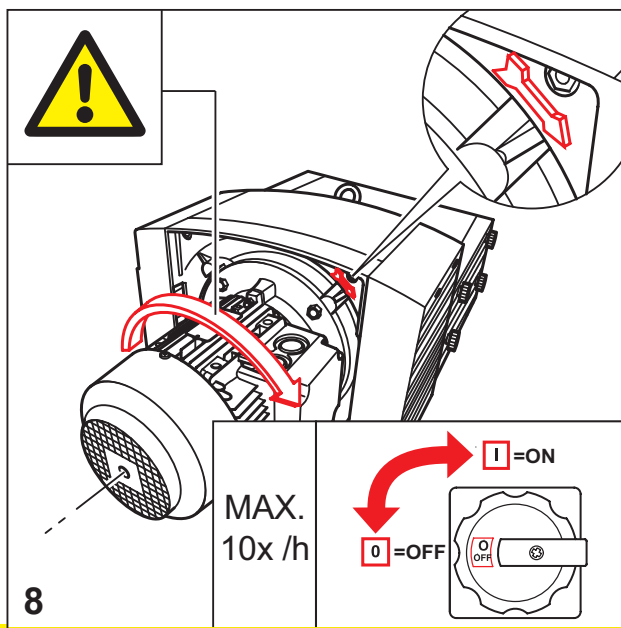
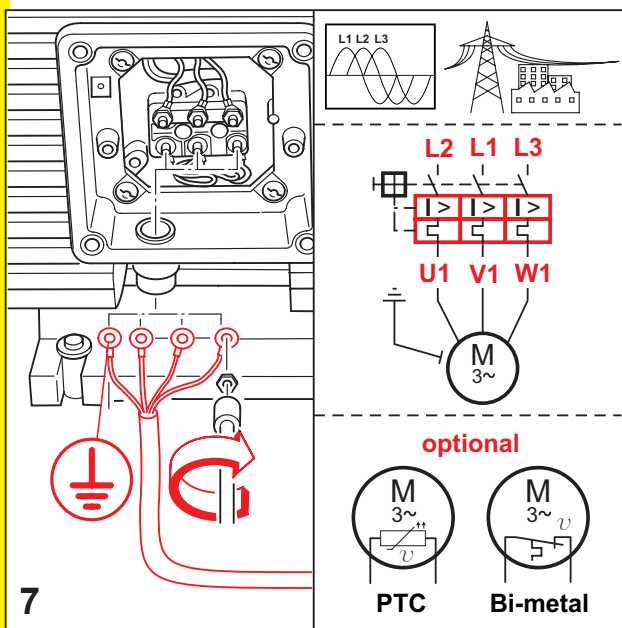
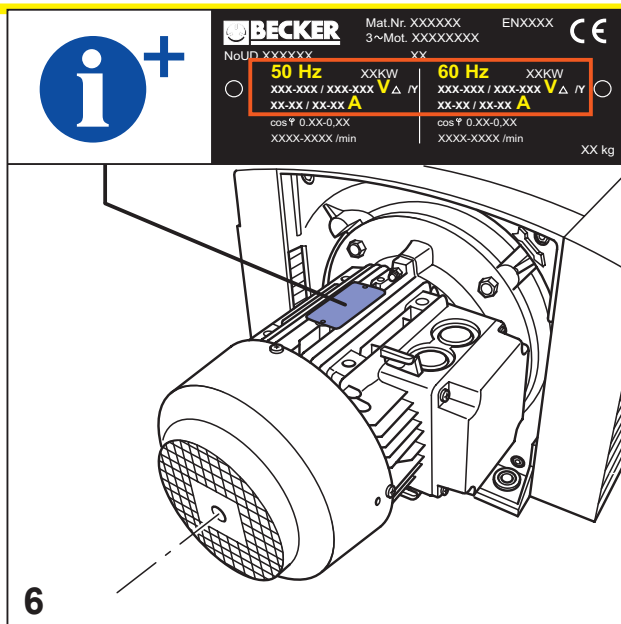
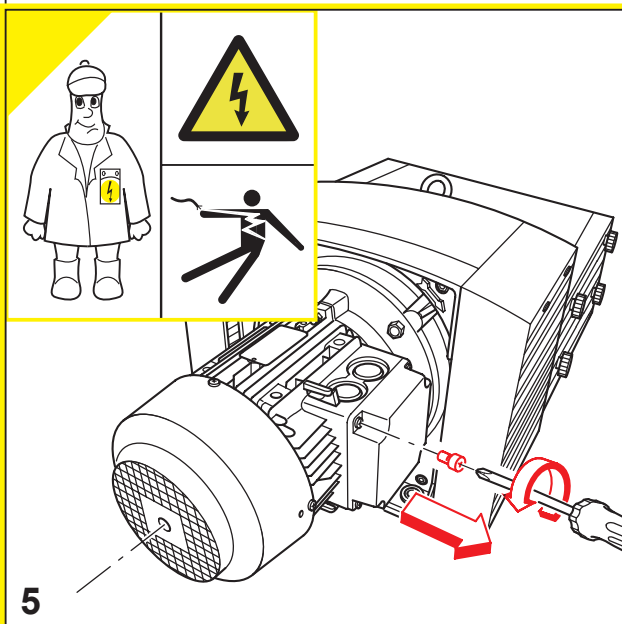
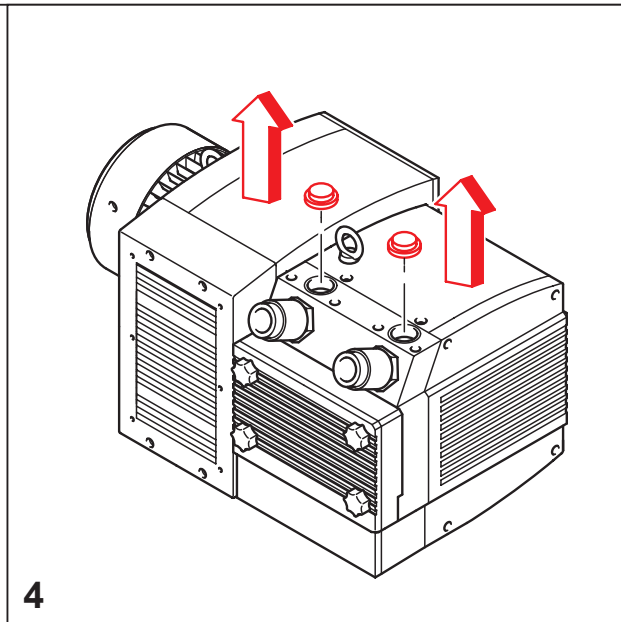
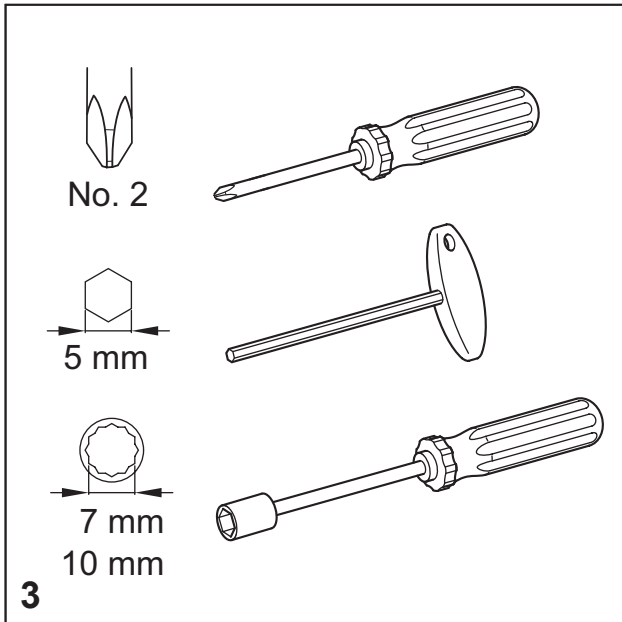
DIN EN ISO 14001:2005



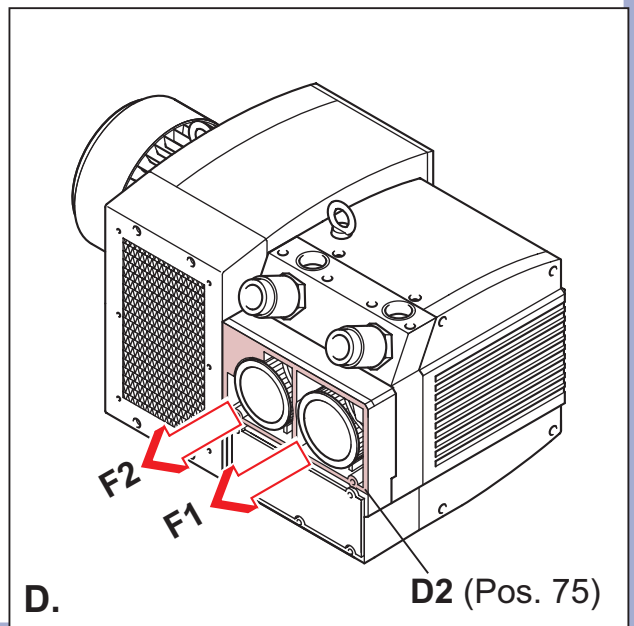
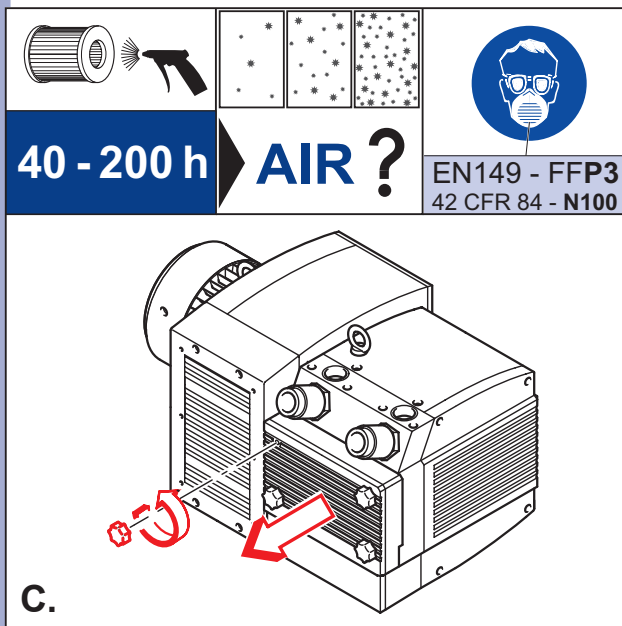
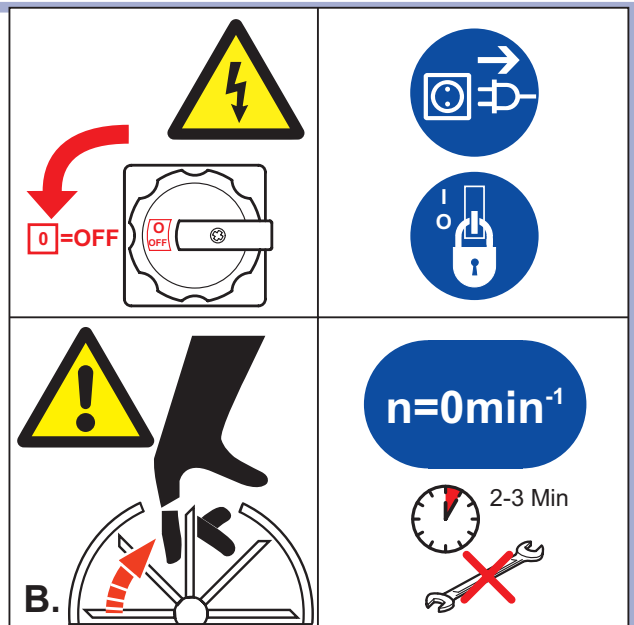
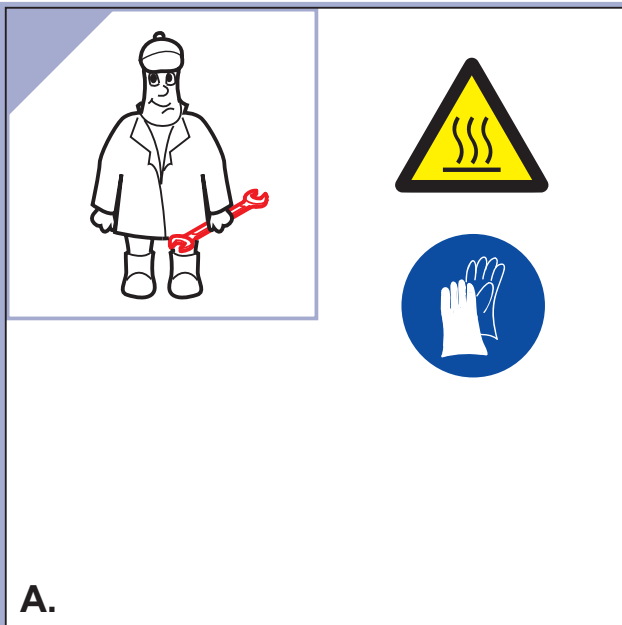
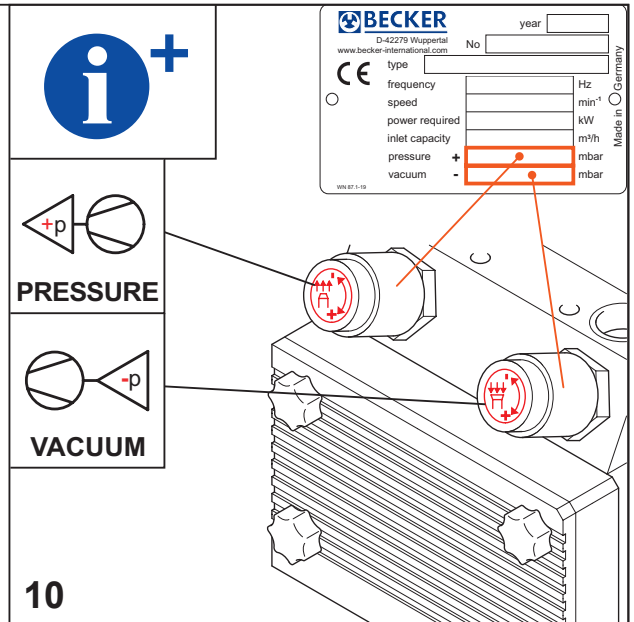
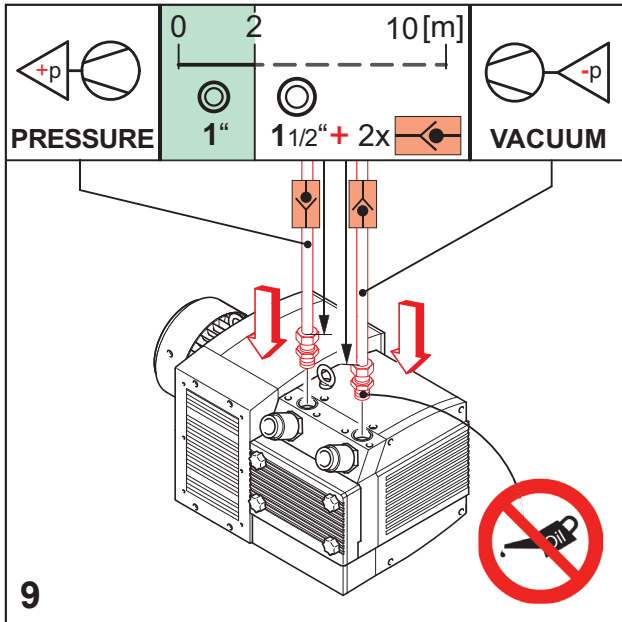
DIN EN ISO 9001  
001929 QM

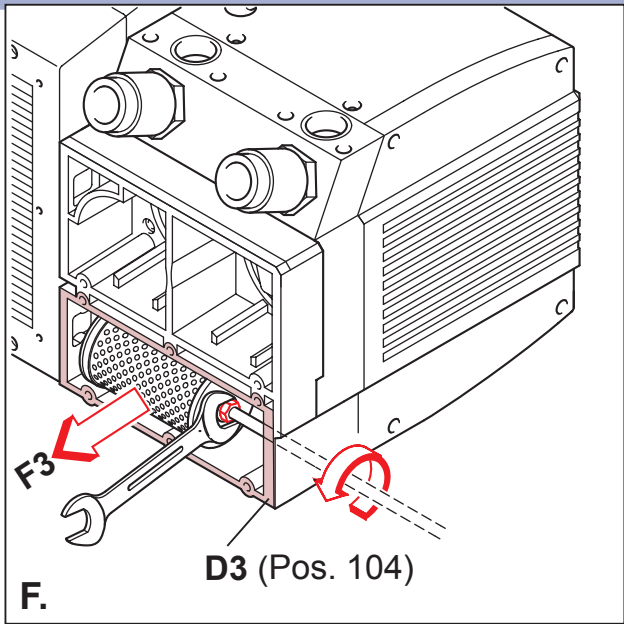
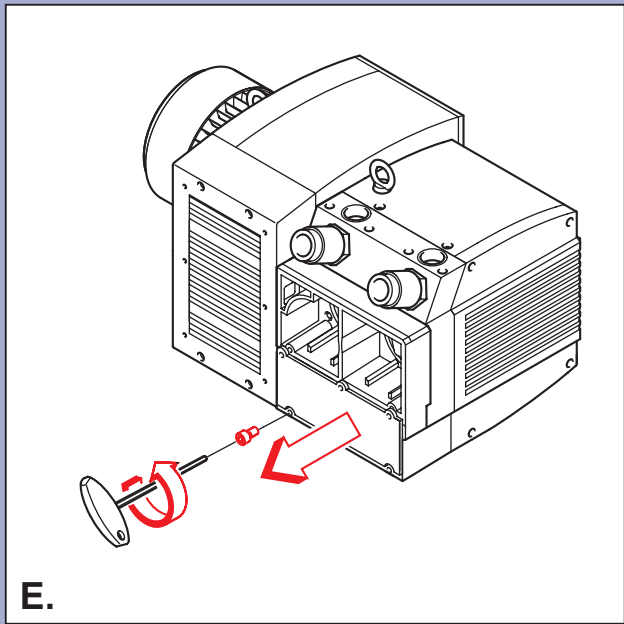
		<b>MAX. PRESSURE</b> <b>MAX. VACUUM</b>		<b>mbar</b>
		<b>MAX.</b>		<b>m<sup>3</sup>/h</b>
 <b>AIR</b>	 	  	<b>DIN EN ISO 3744</b>	$L_{pA} = 75 \text{ dB(A)} - 50\text{Hz}$ $L_{pA} = 76 \text{ dB(A)} - 60\text{Hz}$ $K_{pA} = 3 \text{ dB(A)}$

			 71 kg 156,5 lbs	$A > 100\text{mm}$ $A > 4"$	 > 5°C/41°F < 45°C/113°F	 max. 90%	 max. 800m
<b>1</b> 				<b>2</b> 			

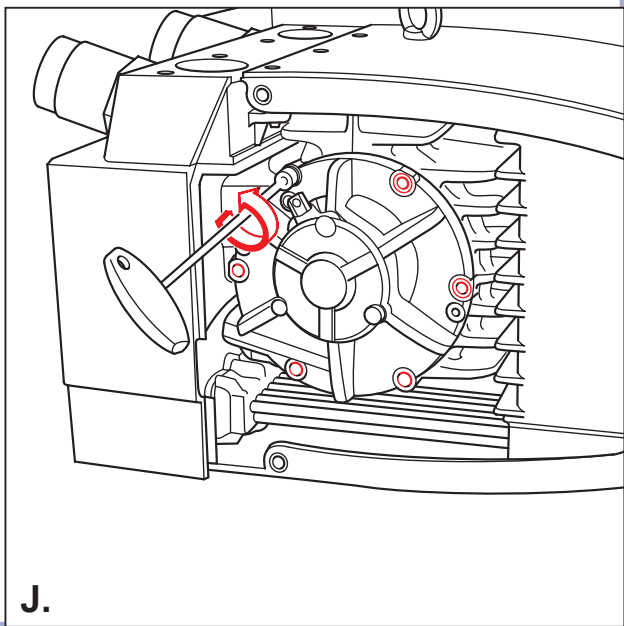
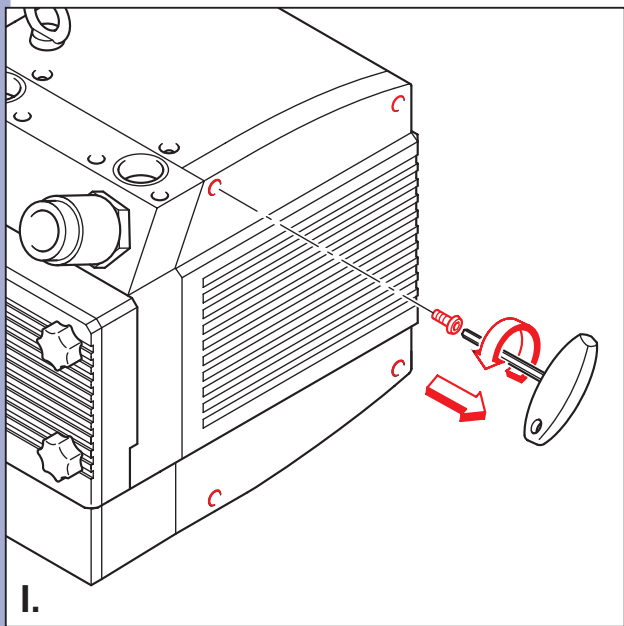
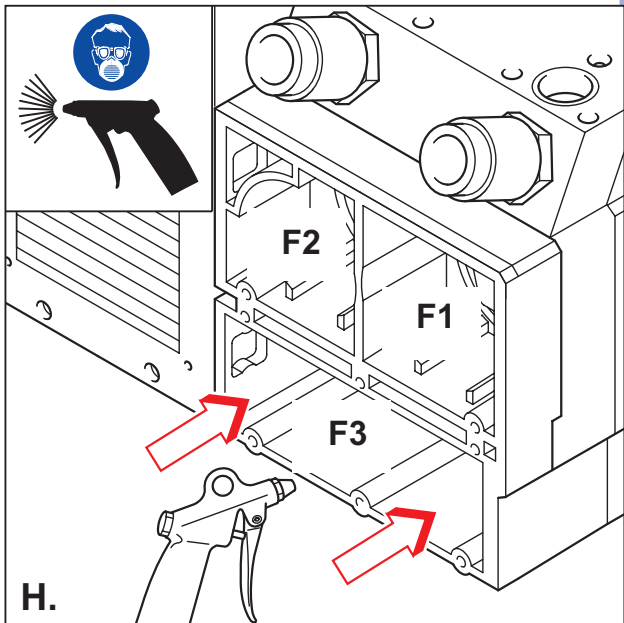


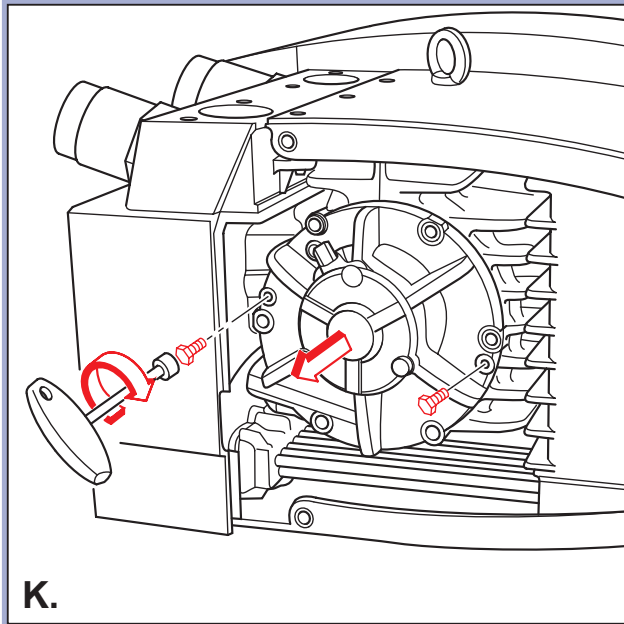
<b>i+</b>	<b>BECKER</b> Mat.Nr. XXXXXX ENXXXX CE	
	3~Mot. XXXXXXXX	
	50 Hz	60 Hz
	XXKW	XXKW
	XXX-XXX / XXX-XXX V Δ / Y	XXX-XXX / XXX-XXX V Δ / Y
	XX-XX / XX-XX A	XX-XX / XX-XX A
	cos φ 0.XX-0.XX	cos φ 0.XX-0.XX
	XXXX-XXXX /min	XXXX-XXXX /min
		XX kg


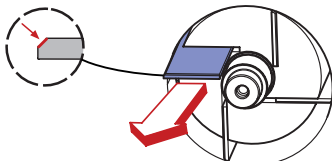
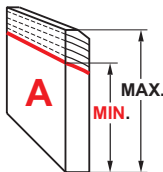






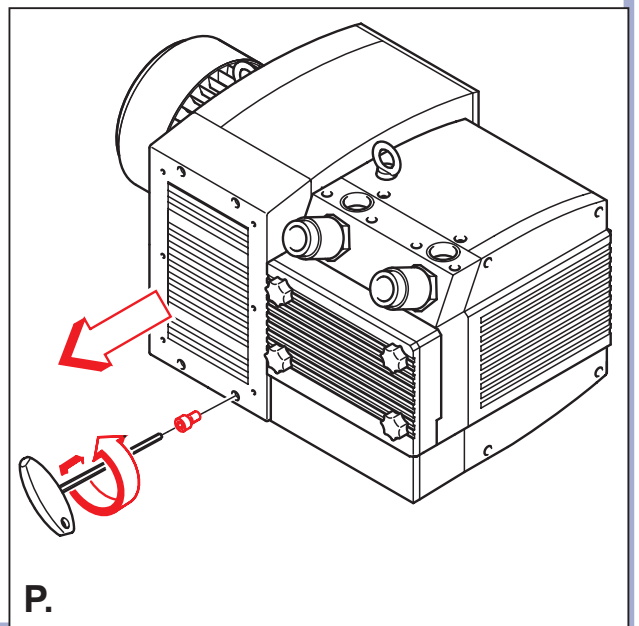
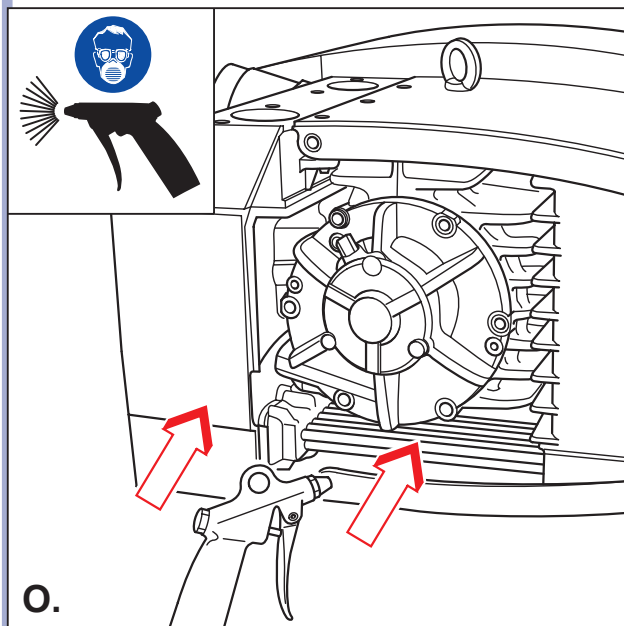
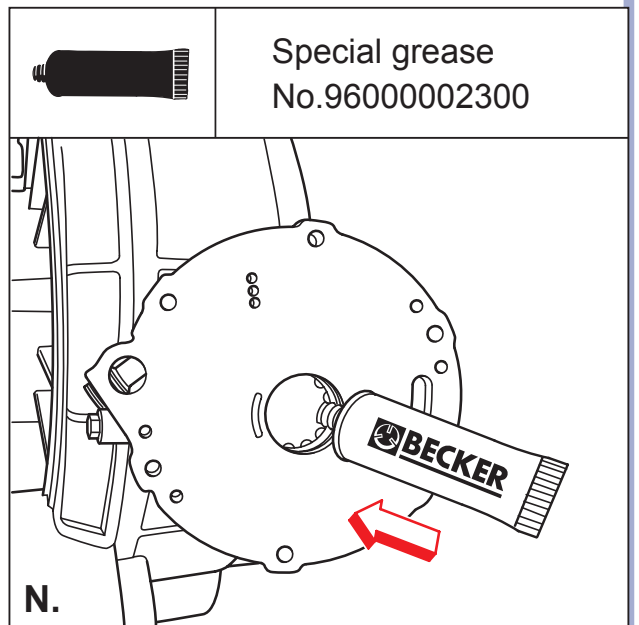
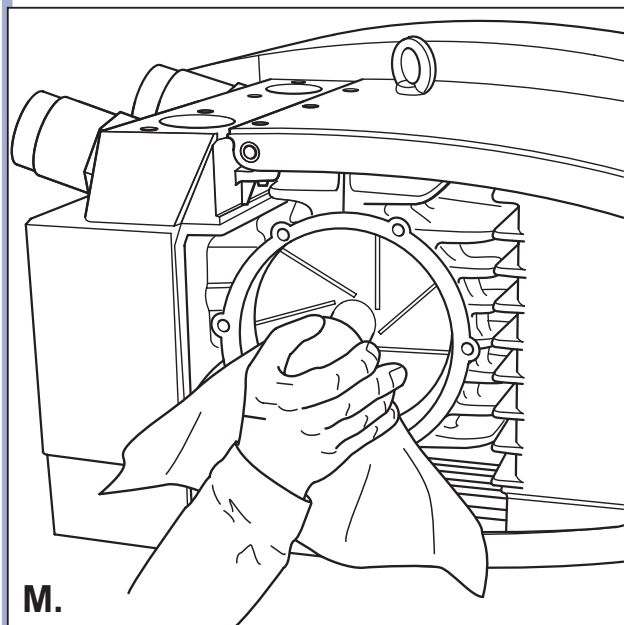
<p><b>F1</b> No.: 909507</p>	<p><b>F2</b> No.: 909506</p>	<p><b>F3</b> No.: 909510</p>
	<p>Satz / Kit Pos.: 17, 20, 24, 62, 75, 76, 85, 86, 104, 122, 125, 126, 146 No.: 549000 21100</p>	

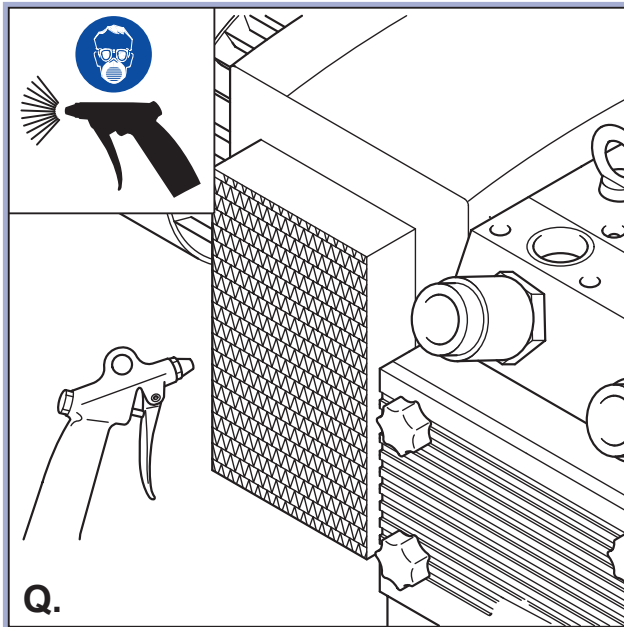




 <b>3000 h</b>	
	$A_{MAX} = 39mm$ $A_{MIN} = 21mm$ $A_{T} < 21mm$ → 
 → <b>No. 9013300007 (SET)</b>	

**L.**





		<b>A</b> 6x <b>11Nm</b>
		<b>B</b> 4x <b>3Nm</b>
		<b>C</b> 4x <b>3Nm</b>

**R.**

**?** **i+**

[www.becker-international.com](http://www.becker-international.com)

Gebr. Becker GmbH  
Hölker Feld 29-31  
D-42279 Wuppertal  
[info@becker-international.com](mailto:info@becker-international.com)

---

**SERVICE**

[www.becker-international.com](http://www.becker-international.com)

Sales and service network