

Betriebsanleitung
 Operating Instructions
 Instructions de service
 Istruzioni d'uso
 Handleiding
 Instrucciones para el manejo
 Manual de instruções
 Naudojimosi instrukcija
 Kasutusjuhend
 Lietošanas instrukcija
 Driftsinstruks
 Driftsinstruktioner
 Käyttöohje
 Driftsvejledning
 Instrukcja obsługi

Kezelési útmutató
 Návod k obsluze
 Navodilo za uporabo
 Návod na obsluhu
 Upute za rad
 Manual de operatii
 Treoracha Oibriúcháin
 Οδηγίες χρήσης
 El Kitabi
 Инструкции за експлоатация
 Инструкция по эксплуатации
 取扱説明書
 사용설명서
 使用说明书

T 4.16 DV

2006/42/EG



DIN EN ISO 14001:2005

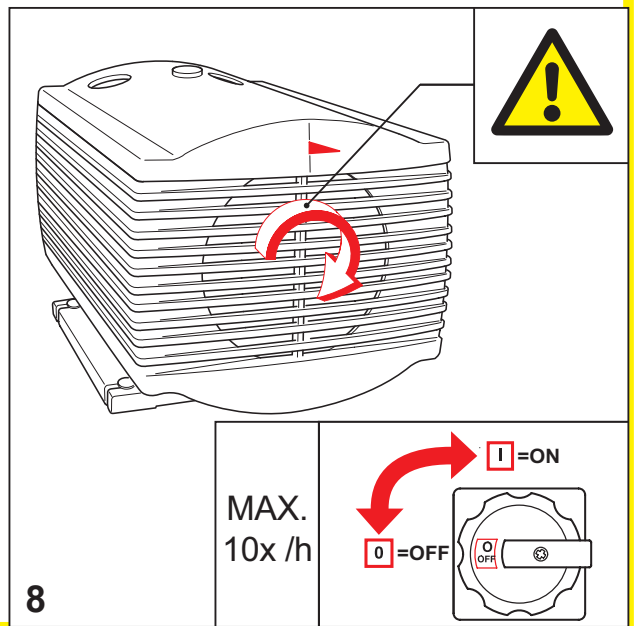
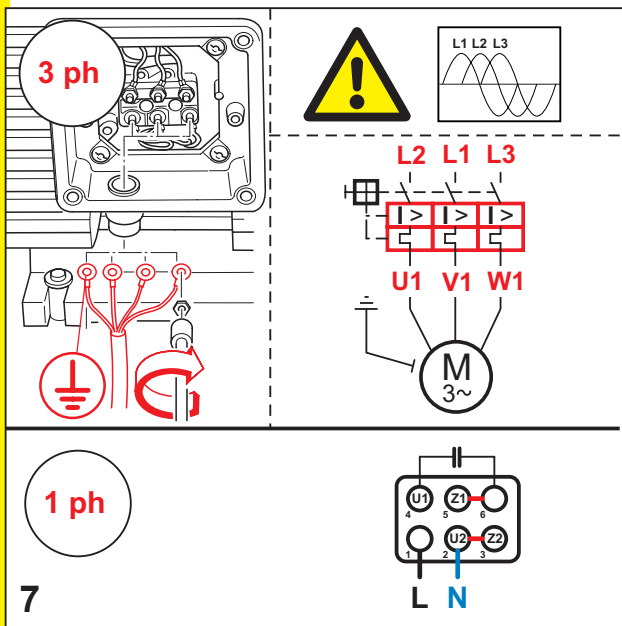
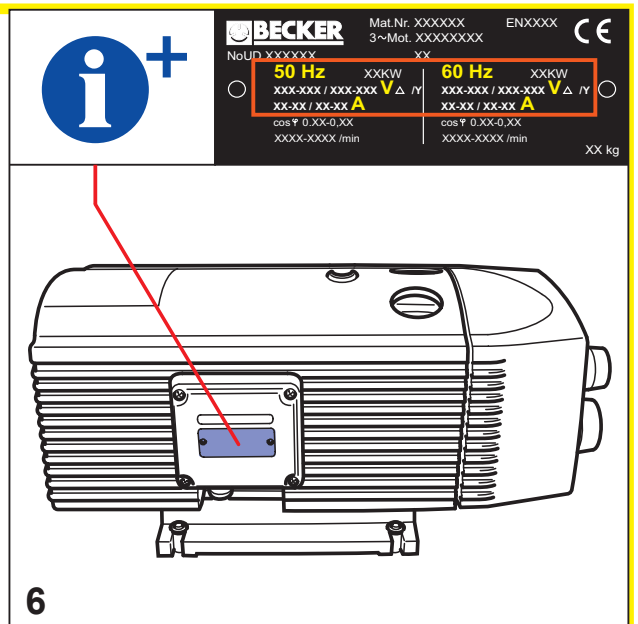
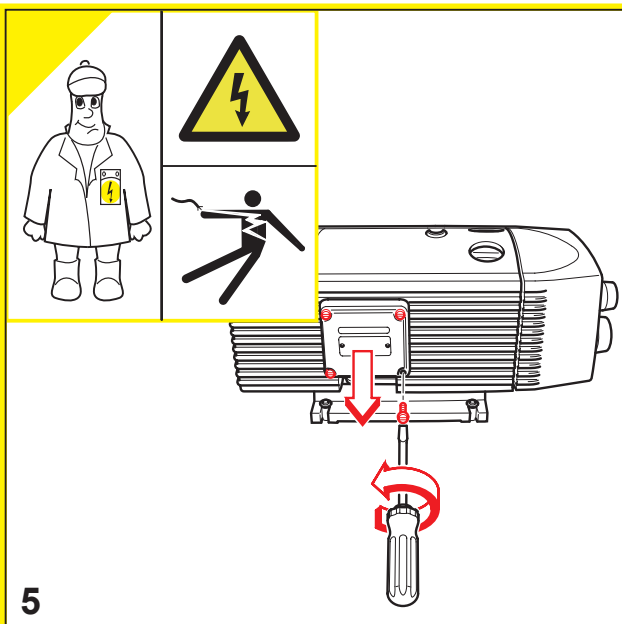
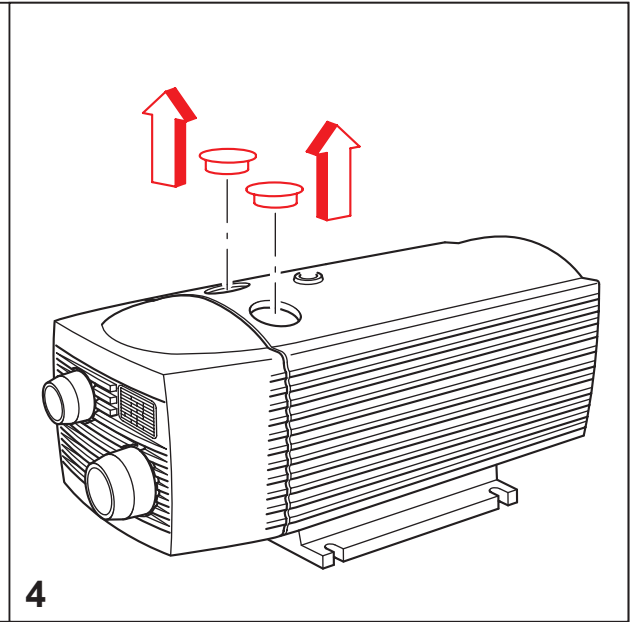
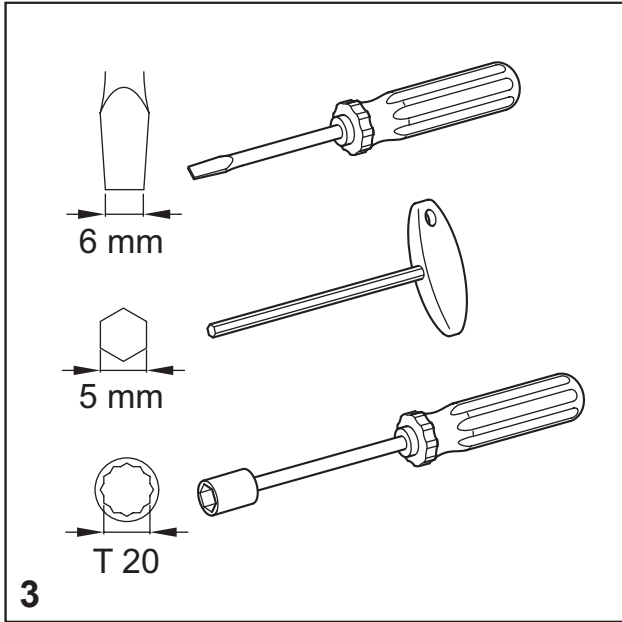


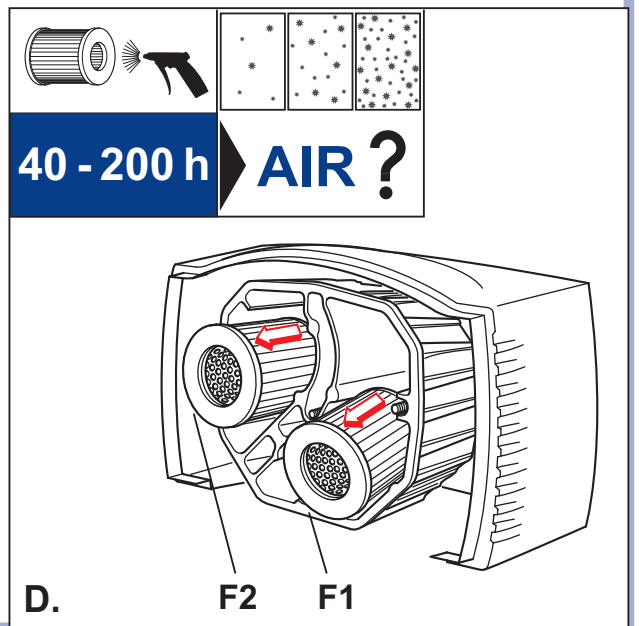
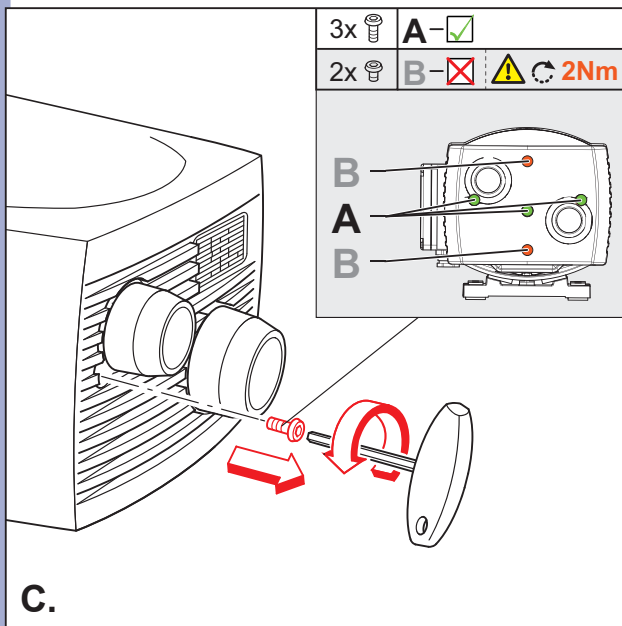
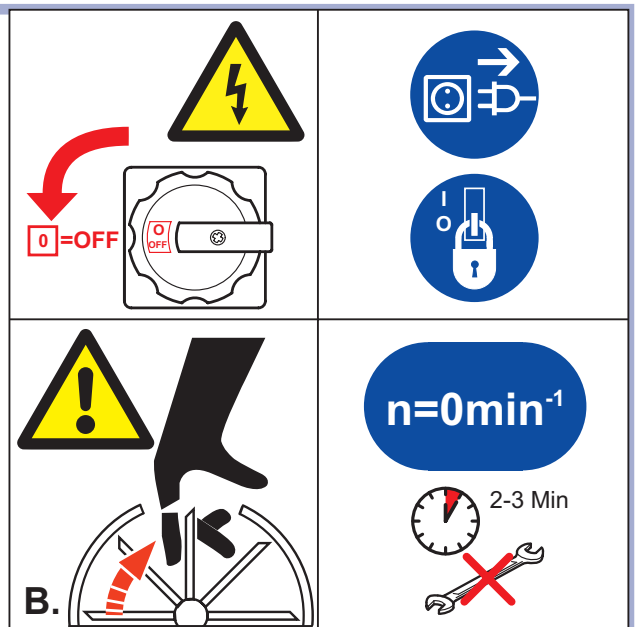
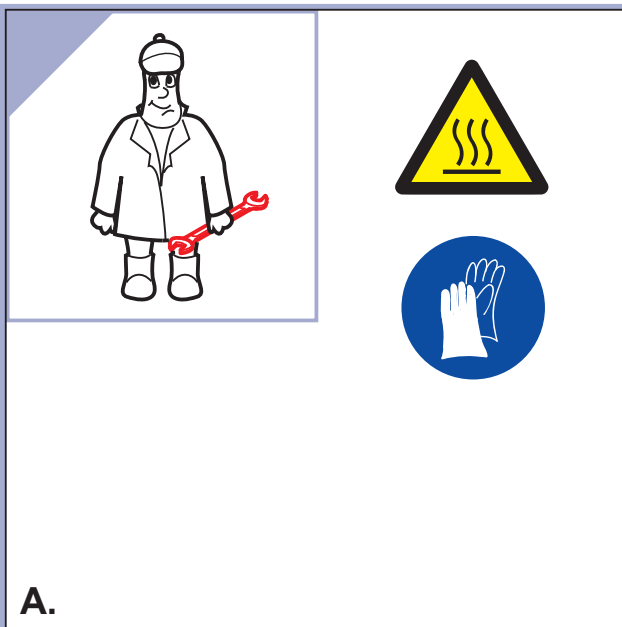
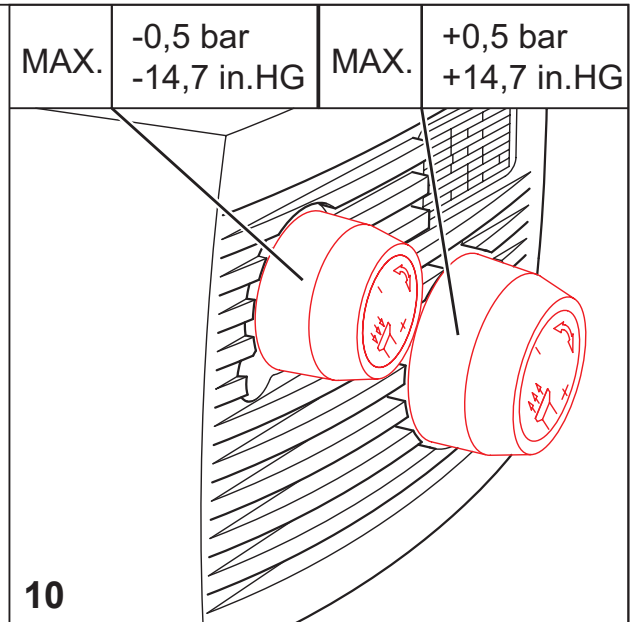
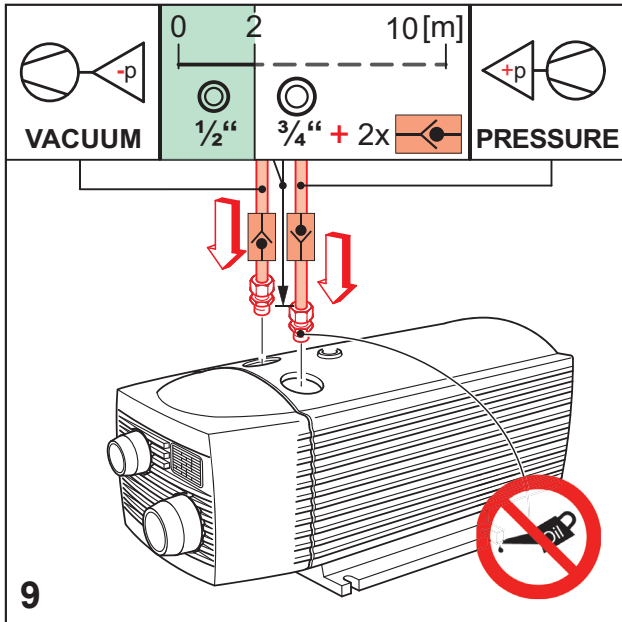
DIN EN ISO 9001
001929 QM

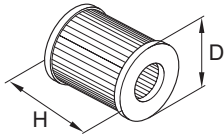
		MAX. PRESSURE MAX. VACUUM		mbar
		MAX.		m ³ /h
AIR		DIN EN ISO 3744	$L_{pA} = 61 \text{ dB(A)} - 50\text{Hz}$ $L_{pA} = 63 \text{ dB(A)} - 60\text{Hz}$ $K_{pA} = 3 \text{ dB(A)}$	

	$> 5^{\circ}\text{C}/41^{\circ}\text{F}$ $< 45^{\circ}\text{C}/113^{\circ}\text{F}$	max. 90%	max. 800m
1 24 kg 52,9 lbs	2 		

28100027403 06/13







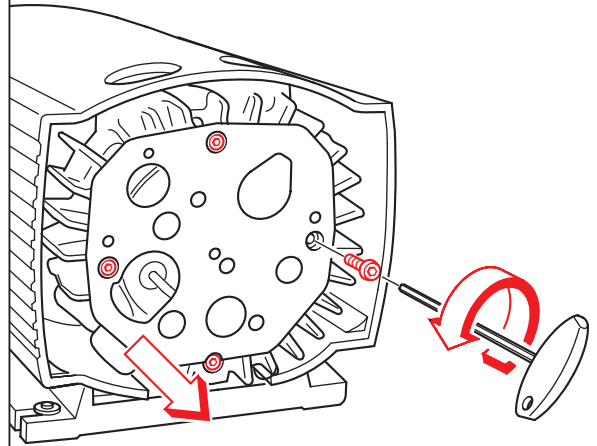
F1: D: 58 mm
H: 40 mm
No.: 90951900000



EN149 - FFP3
42 CFR 84 - N100

F2: D: 60 mm
H: 40 mm
No.: 90954200000

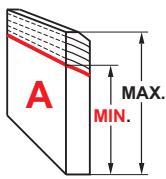
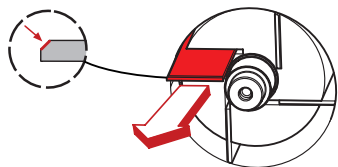
E.



F.



3000 h



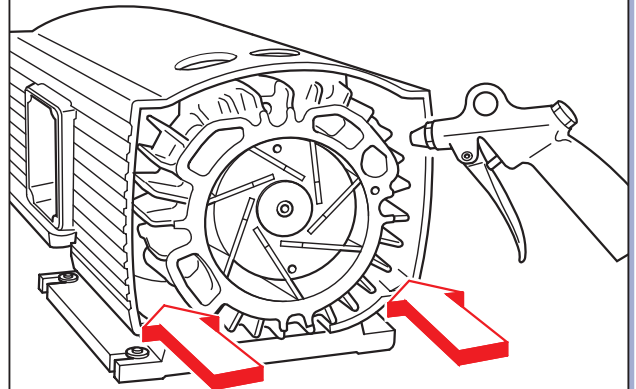
$A_{MAX} = 35mm$
 $A_{MIN} = 21mm$

$A_{spray} < 21mm$ →

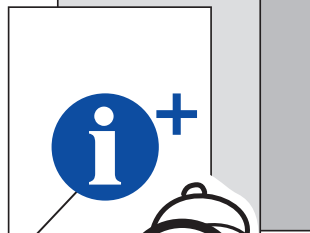
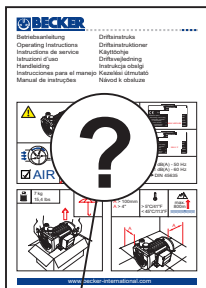


→ No. 90134700007 (SET)

G.



H.



www.becker-international.com

BECKER

Gebr. Becker GmbH
Hölker Feld 29-31
D-42279 Wuppertal
info@becker-international.com



SERVICE

www.becker-international.com

Sales and service network

www.becker-international.com