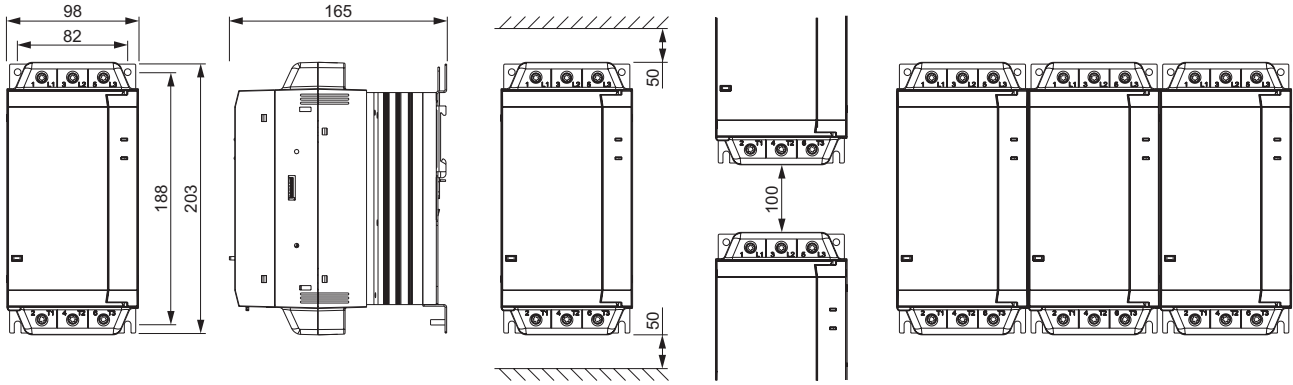
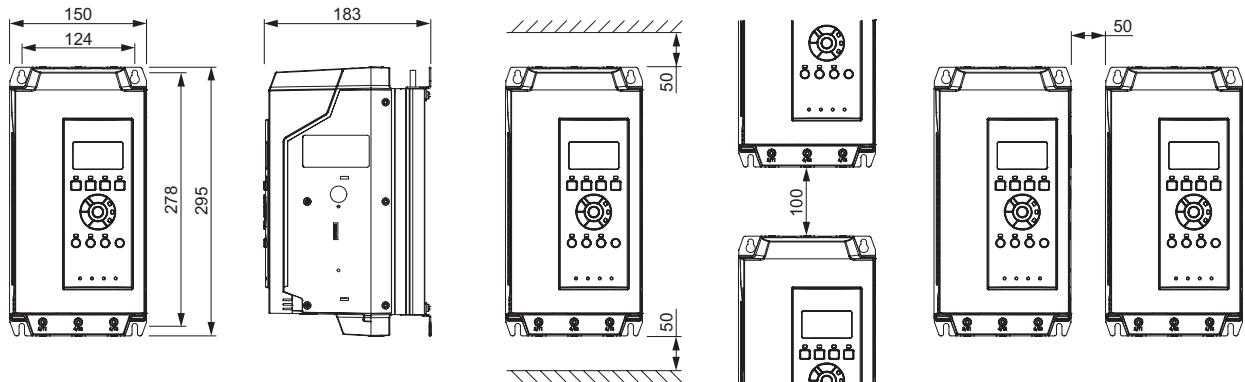


Motor soft starters - BASIC



Motor power Motorleistung Puissance du moteur Potenza del motore Potencia del motor [kW] @ 400 V AC	Input Eingang Entrée Ingresso Entrada [VAC] / [Hz]	Control voltage Steuerspannung Tension de commande Tensione di controllo Tensión de control [VAC] / [VDC]	Nominal Current Nennstrom Courant nominal Corrente nominale Corriente nominal [A] max.	Power loss Verlustleistung Perte de puissance Potenza di dissipazione Pérdida de potencia [W/A] (Start) / [W] (Operation)	Protection class Schutzart Degré de protection Grado di protezione Clase de protección IP	Weight Gewicht Poids Peso Peso [kg]	Order no. Bestell-Nr. Référence Codice d'ord N.º de pedido
7.5	200-440 VAC +10% / -15% 45-66 Hz	24 VDC ±20%	17	< 3 / < 4	20	2.4	71061900000
		110/240VAC or 440VAC	17	< 3 / < 4	20	2.4	71062200000
15.0	200-440 VAC +10% / -15% 45-66 Hz	24 VDC ±20%	32	< 3 / < 4	20	2.4	71061800000
		110/240VAC or 440VAC	32	< 3 / < 4	20	2.4	71062300000
18.5	200-440 VAC +10% / -15% 45-66 Hz	24 VDC ±20%	40	< 3 / < 4	20	2.4	71062000000
		110/240VAC or 440VAC	40	< 3 / < 4	20	2.4	71062600000
22.0	200-440 VAC +10% / -15% 45-66 Hz	24 VDC ±20%	44	< 3 / < 4	20	2.4	71062100000
		110/240VAC or 440VAC	44	< 3 / < 4	20	2.4	
30.0	200-440 VAC +10% / -15% 45-66 Hz	24 VDC ±20%	55	< 3 / < 4	20	2.4	
		110/240VAC or 440VAC	55	< 3 / < 4	20	2.4	

Motor soft starters - ADVANCED



Motor power Motorleistung Puissance du moteur Potenza del motore Potencia del motor [kW] @ 400 V AC	Input Eingang Entrée Ingresso Entrada [VAC] / [Hz]	Control voltage Steuerspannung Tension de commande Tensione di controllo Tensión de control [VAC] / [VDC]	Nominal Current Nennstrom Courant nominal Corrente nominale Corriente nominal [A] max.	Power loss Verlustleistung Perte de puissance Potenza di dissipazione Pérdida de potencia [W/A] (Start) / [W] (Operation)	Protection class Schutzart Degré de protection Grado di protezione Clase de protección IP	Weight Gewicht Poids Peso Peso [kg]	Order no. Bestell-Nr. Référence Codice d'ord N.º de pedido
7.5	200-525 VAC +10% 50-60 Hz +10%	24VAC/VDC +10% / -15%	21	4.5 / < 39	20	4.2	
		110VAC & 220VAC +10% / -15%	21	4.5 / < 39	20	4.2	
15.0	200-525 VAC +10% 50-60 Hz +10%	24VAC/VDC +10% / -15%	37	4.5 / < 39	20	4.2	71062400000
		110VAC & 220VAC +10% / -15%	37	4.5 / < 39	20	4.2	71062700000
18.5	200-525 VAC +10% 50-60 Hz +10%	24VAC/VDC +10% / -15%	43	4.5 / < 39	20	4.2	
		110VAC & 220VAC +10% / -15%	43	4.5 / < 39	20	4.2	71062500000
22.0	200-525 VAC +10% 50-60 Hz +10%	24VAC/VDC +10% / -15%	53	4.5 / < 39	20	4.2	
		110VAC & 220VAC +10% / -15%	53	4.5 / < 39	20	4.2	
30.0	200-525 VAC +10% 50-60 Hz +10%	24VAC/VDC +10% / -15%	68	4.5 / < 39	20	4.5	
		110VAC & 220VAC +10% / -15%	68	4.5 / < 39	20	4.5	

• Dimensions in mm      Maßangaben in mm      Mesures en mm      Misure in mm      Dimensiones en mm